



# BRAKE PAD

## P 86 010

The P 86 010 brake pad is synonymous with reliability



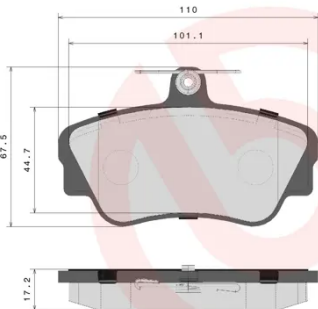

The Brembo brake pad guarantees ultimate safety when braking thanks to the use of more than 100 different compounds, designed according to the type of vehicle and use. Stopping distances reduced to a minimum, maximum driving comfort and silent operation are the most important features of Brembo materials. Brembo brake pads are supplied together with an extensive range of accessories and assembly kits for professional-standard installation.

- ✓ OE-equivalent
- ✓ Brembo quality
- ✓ ECE-R90 certificate
- ✓ Safety
- ✓ Performance
- ✓ Comfort
- ✓ With accessories

### Technical specifications

EAN code <b>8020584058985</b>	Axle <b>Front</b>	Thickness <b>18 mm</b>
Width <b>110 mm</b>	Height <b>68 mm</b>	Braking system <b>Lucas</b>
Wear indicator <b>Without</b>	WVA number <b>21217</b>	Accessories <b>With anti-squeal shim With brake caliper bolts With accessories</b>



	<b>P 86 010</b>		407.E672.511
			BOLT M8x1.25x21 05.E659.000 - x2 
WVA: 21217 QTY: x4			
<small>DATE : 26/09/2023 VERSION : 00</small>			

COMPATIBLE VEHICLES

## COMPATIBLE OE PART NUMBERS

3344061	VOLVO
---------	-------

---

3344787	VOLVO
---------	-------

---

33447871	VOLVO
----------	-------

---