



# CC BRAKE PAD 07HO4108

The 07HO4108 brake pad is synonymous with reliability

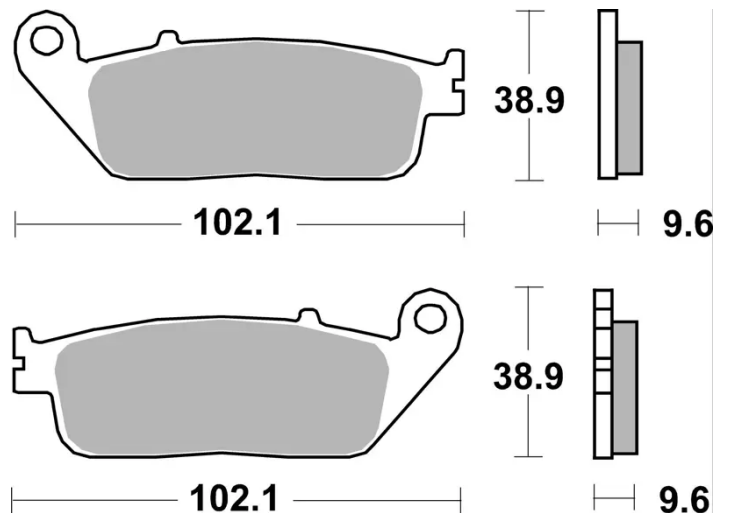
the evolution of the organic compound, using more carbon. High mileage, excellent hot and cold performance, in dry and wet conditions alike

- ✓ OE-equivalent
- ✓ Brembo quality
- ✓ ECE-R90 certificate
- ✓ Safety
- ✓ Comfort
- ✓ Durability



## Technical specifications

Width mm	Height <b>38,9</b> mm	Thickness <b>9,6</b> mm
Compound <b>Carbon ceramic</b>	Units per box <b>2</b>	



**COMPATIBLE VEHICLES**