

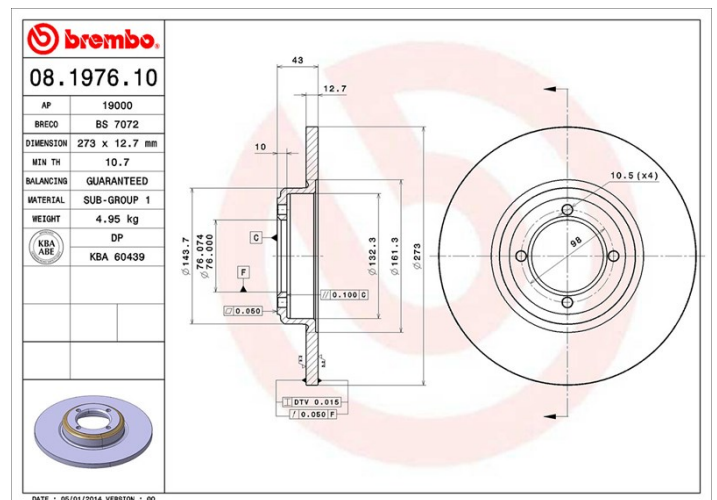
Caractéristiques techniques du disque

Essieu Avant	Diamètre 273 mm
Hauteur totale (A) 43 mm	Diamètre de centrage (B) 76 mm
Nombre de trous de fixation (C) 4	Épaisseur (TH) 12,7 mm
Épaisseur min. 10,7 mm	Couple de serrage 85 N.m
Unités par boîte 2	Code EAN 8020584197615



Références marques

Brembo 08.1976.10	AP 19000	Breco BS 7072
-----------------------------	--------------------	-------------------------



Spécifications techniques

Véhicules couverts

PEUGEOT				
Modèle	Type	kW	Année	
504 (A_, M_)	1.8	55	09/79 08/82	
504 (A_, M_)	1.8 (A01, A03)	60	07/68 02/71	
504 (A_, M_)	1.8 (M03)	58	01/71 06/83	
504 (A_, M_)	1.8 Injection (A02)	71	07/68 02/71	
504 (A_, M_)	1.9 D (M20)	40	03/73 07/86	
504 (A_, M_)	2.0	69	09/79 08/82	
504 (A_, M_)	2.0 (A1, A13, MY1, MY3)	71	03/71 06/86	
504 (A_, M_)	2.0 TI (A12, A14)	78	01/71 06/83	
504 (A_, M_)	2.1 D	43	09/79 08/82	
504 (A_, M_)	2.1 D	49	09/79 08/82	

504 (A_, M_)	2.1 D (A20, M20)	48	02/71 07/86
504 (A_, M_)	2.3 D (A40, A45)	51	07/75 12/83
504 Break (D_, F_)	1.8 (F01, E01)	54	04/71 07/86
504 Break (D_, F_)	2.0 (D11, F11)	68	04/71 07/86
504 Break (D_, F_)	2.1 D (E20, F20)	48	04/71 07/86
504 Break (D_, F_)	2.3 D (D40, F40)	51	07/75 07/86
504 Convertible	2.0	78	08/82 08/84
504 Convertible	2.0	75	10/74 08/82
504 Coupe	2.0	78	08/82 08/84
504 Coupe	2.0	75	10/74 08/82
504 Pickup	2.5 D	55	08/90 10/99
504 Pickup (E_)	1.6	46	01/80 06/87
504 Pickup (E_)	1.8	53	07/87 12/89
504 Pickup (E_)	1.8	55	08/81 10/86
504 Pickup (E_)	1.9 D	40	01/80 12/89
504 Pickup (E_)	1.9 D	41	08/81 10/86
504 Pickup (E_)	2.3 D	51	01/80 12/89
505 (551A)	1.8	60	01/82 10/85
505 (551A)	1.8	55	06/81 10/85
505 (551A)	1.8	62	09/85 10/86
505 (551A)	2.0	79	05/79 03/82
505 (551A)	2.0	69	09/83 09/85
505 (551A)	2.0	72	09/85 09/95
505 (551A)	2.0	71	11/80 12/85
505 (551A)	2.0 GTi	83	10/89 08/91
505 (551A)	2.0 TI,STI	81	08/79 10/86
505 (551A)	2.2	89	10/85 08/91
505 (551A)	2.2	84	03/86 12/93
505 (551A)	2.2	85	05/81 10/84
505 (551A)	2.2 GTI	90	08/83 12/93
505 (551A)	2.2 GTI	96	08/83 12/93
505 (551A)	2.3 Turbo Diesel	59	09/80 06/86
505 (551A)	2.5 Diesel	55	06/81 12/93
505 (551A)	2.5 Diesel	51	10/81 11/90

505 (551A)	2.5 Turbo Diesel	70	10/83 12/90
505 (551A)	2.5 Turbo Diesel	66	10/83 12/93
505 (551A)	2.5 Turbo Diesel	77	10/86 12/93
505 Break (551D)	1.8	55	04/82 09/85
505 Break (551D)	2.0	60	04/82 11/87
505 Break (551D)	2.0	69	08/83 12/85
505 Break (551D)	2.0	72	09/85 11/87
505 Break (551D)	2.0	81	10/85 09/89
505 Break (551D)	2.2	84	01/86 12/93
505 Break (551D)	2.2 GTI	90	09/85 12/86
505 Break (551D)	2.2 Ti	96	01/84 09/85
505 Break (551D)	2.3 D	51	06/82 09/84
505 Break (551D)	2.3 Diesel	59	04/82 06/86
505 Break (551D)	2.5 Diesel	51	01/86 12/93
505 Break (551D)	2.5 Diesel	55	08/83 12/93
505 Break (551D)	2.5 Turbo Diesel	66	10/85 11/87
505 Break (551D)	2.5 Turbo Diesel	77	10/86 12/93
604 (561A_)	2.0	70	03/83 02/87
604 (561A_)	2.3 TD	59	09/79 05/83
604 (561A_)	2.5 TD	66	08/83 12/86
TALBOT			
Modèle	Type	kW	Année
TAGORA	2.1	85	06/80 12/83
TAGORA	2.3 Turbo Diesel	59	08/81 12/87

Refs constructeur

Références constructeurs compatibles

PEUGEOT	424642
PEUGEOT	424684
PEUGEOT	4246B2
TALBOT	424642
TALBOT	7851531000