

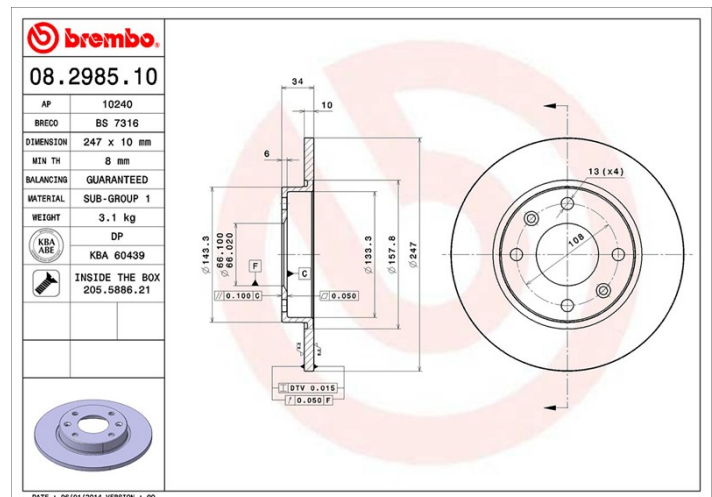
## Caractéristiques techniques du disque

<b>Essieu</b> Avant, Arrière	<b>Diamètre</b> (Ø) 247 mm
<b>Hauteur totale</b> (A) 34 mm	<b>Diamètre de centrage</b> (B) 66 mm
<b>Nombre de trous de fixation</b> (C) 4	<b>Épaisseur</b> (TH) 10 mm
<b>Épaisseur min.</b> 8 mm	<b>Couple de serrage</b> 90 N.m
<b>Unités par boîte</b> 2	<b>Code EAN</b> 8020584298510



## Références marques

<b>Brembo</b> 08.2985.10	<b>AP</b> 10240	<b>Breco</b> BS 7316
-----------------------------	--------------------	-------------------------



## Spécifications techniques

### Disque avec vis de fixation

Pour une grande partie de sa gamme, Brembo ajoute les vis de fixation dans l'emballage des disques, afin d'apporter un service supplémentaire au mécanicien, au cas où les vis d'origine seraient rouillées ou usées, et non réutilisables.



## Véhicules couverts

### CITROËN

Modèle	Type	kW	Année
C15 (VD-_)	1.0	33	10/84 12/97
C15 (VD-_)	1.0 E	37	11/92 07/96
C15 (VD-_)	1.1	40	10/84 07/87
C15 (VD-_)	1.1	35	10/84 12/96
C15 (VD-_)	1.1	40	11/88 07/96
C15 (VD-_)	1.1 i	44	07/88 12/96
C15 (VD-_)	1.3	47	07/87 05/88

C15 (VD-_)	1.4	49	07/87 12/96
C15 (VD-_)	1.4 E	44	05/87 12/96
C15 (VD-_)	1.4 E	40	07/87 12/96
C15 (VD-_)	1.4 i	55	05/91 12/96
C15 (VD-_)	1.8 D	44	07/86 12/00
C15 (VD-_)	1.9 D	44	12/00 12/05
C15 Estate	1.1	44	08/88 07/96
C15 Estate	1.1	40	10/88 10/92
C15 Estate	1.4	49	05/87 09/92
C15 Estate	1.4	44	05/87 10/92
C15 Estate	1.4	55	05/91 07/96
C15 Estate	1.8 D	44	04/87 08/00
SAXO (S0, S1)	1.0 X	33	05/96 11/98
SAXO (S0, S1)	1.0 X	37	05/98 06/03
SAXO (S0, S1)	1.1 BiFuel	44	07/00 06/03
SAXO (S0, S1)	1.1 X,SX	40	05/96 09/03
SAXO (S0, S1)	1.1 X,SX	44	05/96 09/03
SAXO (S0, S1)	1.4 VTS	55	05/96 06/03
SAXO (S0, S1)	1.5 D	43	07/01 04/04
SAXO (S0, S1)	1.5 D	42	09/96 06/01
SAXO (S0, S1)	1.5 D	40	09/96 09/03
SAXO (S0, S1)	Electric	20	11/96 06/03
VISA	17 D	44	04/84 03/91
ZX (N2)	1,1	40	03/91 08/93
ZX (N2)	1.1	44	03/91 06/97
ZX (N2)	1.4	55	03/91 06/97
ZX (N2)	1.4 D	37	07/94 10/97
ZX (N2)	1.4 i	55	03/91 06/97
ZX (N2)	1.8 D	44	06/93 06/97
ZX (N2)	1.9 D	47	03/91 06/97
ZX (N2)	1.9 D	50	07/93 06/97
ZX Break (N2)	1.4 i	55	10/93 10/97
ZX Break (N2)	1.8 D	44	10/93 10/97

Modèle	Type	kW	Année
FUKANG Saloon	1.6	65	09/98 08/06
<b>PEUGEOT</b>			
Modèle	Type	kW	Année
106 I (1A, 1C)	1.0	33	09/91 04/96
106 I (1A, 1C)	1.0	37	09/91 04/96
106 I (1A, 1C)	1.1	44	09/91 04/96
106 I (1A, 1C)	1.4	51	08/91 03/96
106 I (1A, 1C)	1.4	72	08/91 03/96
106 I (1A, 1C)	1.4	55	09/91 04/96
106 I (1A, 1C)	1.4	69	09/91 04/96
106 I (1A, 1C)	1.4 D	37	09/92 04/96
106 I (1A, 1C)	1.5 D	40	06/94 04/96
106 I (1A, 1C)	1.5 D	43	06/94 04/96
106 I (1A, 1C)	1.6	65	06/93 04/96
106 II (1)	1.0 i	37	01/97 03/01
106 II (1)	1.0 i	33	05/96 10/99
106 II (1)	1.1 i	40	01/97 03/01
106 II (1)	1.1 i	44	05/96 07/04
106 II (1)	1.4 i	55	05/96 07/04
106 II (1)	1.5 D	42	04/98 07/04
106 II (1)	1.5 D	40	05/96 03/01
106 II (1)	1.6 i	65	05/96 10/99
106 II (1)	Electric	20	04/96 07/04
106 Van II Box Body / Hatchback (1S_)	1.0	33	04/96 03/01
106 Van II Box Body / Hatchback (1S_)	1.5 D	40	05/96 03/01
106 Van II Box Body / Hatchback (1S_)	1.5 D	42	06/96 03/01
106 Van II Box Body / Hatchback (1S_)	Electric	20	04/96 03/01
205 Box	1.1	36	02/83 07/87
205 Box	1.1	40	08/87 07/90
205 Box	1.4	44	02/83 07/87
205 Box	1.8 D	44	02/83 07/90
205 I (741A/C)	1.0	33	02/83 10/87
205 I (741A/C)	1.1	36	02/83 10/87

205 I (741A/C)	1.1	37	02/83 10/87
205 I (741A/C)	1.3	47	02/84 10/87
205 I (741A/C)	1.4	44	02/83 10/87
205 I (741A/C)	1.4	53	02/83 10/87
205 I (741A/C)	1.4	59	02/83 10/87
205 I (741A/C)	1.4	58	10/85 10/87
205 I (741A/C)	1.5	63	02/84 10/87
205 I (741A/C)	1.6	53	03/87 10/87
205 I (741A/C)	1.6	55	08/86 10/87
205 I (741A/C)	1.6	55	08/86 10/87
205 I (741A/C)	1.7 Diesel	44	08/83 10/87
205 I Convertible (741B, 20D)	1.1 CJ	44	10/89 12/94
205 I Convertible (741B, 20D)	1.4	62	08/87 06/94
205 I Convertible (741B, 20D)	1.4	50	08/87 07/90
205 I Convertible (741B, 20D)	1.4 CJ	44	03/88 05/89
205 I Convertible (741B, 20D)	1.4 CJ	49	03/89 12/94
205 I Convertible (741B, 20D)	1.4 CJ	55	05/91 12/94
205 I Convertible (741B, 20D)	1.4 CJ Cat	44	01/89 09/93
205 I Convertible (741B, 20D)	1.4 CT	58	04/86 12/88
205 II (20A/C)	1.0	37	08/92 05/97
205 II (20A/C)	1.0	33	10/87 09/98
205 II (20A/C)	1.1	44	07/89 09/98
205 II (20A/C)	1.1	40	10/87 07/92
205 II (20A/C)	1.1	36	10/87 10/90
205 II (20A/C)	1.1 XA	40	07/87 10/88
205 II (20A/C)	1.2	47	01/87 12/90
205 II (20A/C)	1.3	47	08/90 07/92
205 II (20A/C)	1.4	53	01/87 07/88
205 II (20A/C)	1.4	62	06/87 12/89
205 II (20A/C)	1.4	63	06/87 12/89
205 II (20A/C)	1.4	58	07/88 05/89
205 II (20A/C)	1.4	55	07/88 09/98
205 II (20A/C)	1.4	55	07/88 09/98
205 II (20A/C)	1.4	50	08/90 07/92

205 II (20A/C)	1.4	44	10/87 05/89
205 II (20A/C)	1.4	49	10/87 10/90
205 II (20A/C)	1.4 Cat	44	08/87 09/93
205 II (20A/C)	1.6	53	10/87 09/98
205 II (20A/C)	1.6	55	10/87 09/98
205 II (20A/C)	1.7 Diesel	44	07/87 09/98
205 II (20A/C)	1.8 TD	57	01/90 09/98
205 II (20A/C)	1.8 XDT	58	08/90 05/97
205 II (20A/C)	1.9 Diesel	51	08/87 06/94
205 II (20A/C)	1.9 Diesel	47	10/87 09/98
206 Hatchback (2A/C)	1.0	48	09/02 02/07
206 Hatchback (2A/C)	1.1	40	08/98 07/00
206 Hatchback (2A/C)	1.1 i	44	09/98 -
206 SW (2E/K)	1.1	44	07/02 -
306 (7B, N3, N5)	1.1	44	06/94 05/01
306 (7B, N3, N5)	1.4 SL	55	06/94 05/01
306 (7B, N3, N5)	1.9 D	55	03/98 05/01
306 (7B, N3, N5)	1.9 D	51	09/98 05/01
306 (7B, N3, N5)	1.9 SLD	47	06/94 05/01
306 (7B, N3, N5)	1.9 SLD	50	06/94 05/01
306 (7B, N3, N5)	1.9 STD	51	02/94 10/95
306 Hatchback (7A, 7C, N3, N5)	1.1	44	05/93 05/01
306 Hatchback (7A, 7C, N3, N5)	1.4	55	04/93 07/01
306 Hatchback (7A, 7C, N3, N5)	1.8 D	44	04/93 05/99
306 Hatchback (7A, 7C, N3, N5)	1.8 D	43	05/93 05/01
306 Hatchback (7A, 7C, N3, N5)	1.9 D	55	03/98 05/01
306 Hatchback (7A, 7C, N3, N5)	1.9 D	47	05/93 05/01
306 Hatchback (7A, 7C, N3, N5)	1.9 D	50	06/94 05/01
306 Hatchback (7A, 7C, N3, N5)	1.9 D	51	09/98 05/01
309 I (10C, 10A)	1.1	40	10/85 07/89
309 I (10C, 10A)	1.3	47	10/85 07/89
309 I (10C, 10A)	1.4	49	03/89 07/89
309 I (10C, 10A)	1.4	55	03/89 07/89
309 I (10C, 10A)	1.4	62	08/88 08/89

309 I (10C, 10A)	1.5	63	06/87 12/89
309 I (10C, 10A)	1.6	69	01/86 07/89
309 I (10C, 10A)	1.6	53	08/87 07/89
309 I (10C, 10A)	1.6	55	10/85 07/89
309 I (10C, 10A)	1.6	59	10/85 07/89
309 I (10C, 10A)	1.6	76	11/85 09/88
309 I (10C, 10A)	1.6 Cat	55	09/86 12/89
309 I (10C, 10A)	1.9	72	03/86 07/89
309 I (10C, 10A)	1.9	80	07/88 07/89
309 I (10C, 10A)	1.9	75	10/85 07/89
309 I (10C, 10A)	1.9 D	47	06/86 07/89
309 II (3C, 3A)	1.1	44	08/90 12/93
309 II (3C, 3A)	1.1	40	09/89 10/93
309 II (3C, 3A)	1.4	55	07/89 12/93
309 II (3C, 3A)	1.4	49	07/90 12/93
309 II (3C, 3A)	1.6	65	07/89 12/93
309 II (3C, 3A)	1.6	68	07/89 12/93
309 II (3C, 3A)	1.6	69	07/89 12/93
309 II (3C, 3A)	1.6	74	09/89 10/93
309 II (3C, 3A)	1.8 D	43	10/91 10/93
309 II (3C, 3A)	1.8 Diesel	44	07/89 12/93
309 II (3C, 3A)	1.8 TD	57	08/89 12/93
309 II (3C, 3A)	1.9	72	08/89 12/93
309 II (3C, 3A)	1.9	80	10/90 12/93
309 II (3C, 3A)	1.9 D	50	09/89 10/93
309 II (3C, 3A)	1.9 Diesel	47	07/89 12/93
405 I (15B)	1.9 4x4	80	07/88 12/92
405 I (15B)	1.9 4x4	93	07/90 07/92
405 I (15B)	1.9 SPort MI-16 4x4	108	06/87 07/92
405 I Break (15E)	1.9 4x4	88	07/90 07/92
405 I Break (15E)	1.9 4x4	108	07/90 07/92
405 I Break (15E)	1.9 4x4	80	10/88 08/92
405 I Break (15E)	1.9 All-wheel Drive	116	06/87 07/92
405 I Break (15E)	1.9 All-wheel Drive	77	09/88 07/92

405 II (4B)	2.0 X4	89	08/92 10/95
405 II Break (4E)	2.0 4x4	89	08/92 10/96
405 II Break (4E)	2.0 4x4	144	08/92 12/95

## Refs constructeur

### Références constructeurs compatibles

CITROËN	424995
CITROËN	91508338
CITROËN	95661748
CITROËN	96070525
PEUGEOT	424689
PEUGEOT	4246A5
PEUGEOT	424995