



BRAKE DISC

09.A558.10

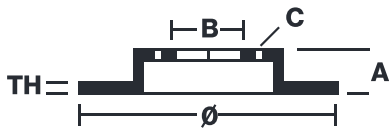
The **09.A558.10** brake disc is synonymous with reliability

The Brembo brake disc is fully interchangeable with an Original Equipment brake disc. The control of the entire production cycle allows Brembo to offer brake discs with outstanding performance levels, reliability, durability and comfort in all conditions of use. All Brembo brake discs are accompanied by the ECE-R90 homologation.

- ✓ OE-equivalent
- ✓ Brembo quality
- ✓ ECE-R90 certificate
- ✓ Safety
- ✓ High carbon
- ✓ PVT ventilation
- ✓ Fastening screws



Technical specifications



EAN code
8020584033098

Axle
Front

Diameter \varnothing
340 mm

Thickness (TH)
30 mm

Height (A)
48 mm

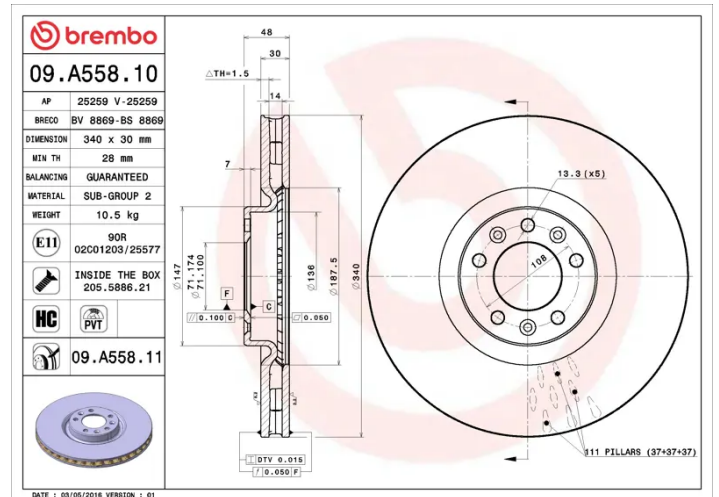
Number of holes (C)
5

Brake disc type
Ventilated

Centering (B)
71 mm

Min. thickness
28 mm

Tightening torque
90 Nm



COMPATIBLE VEHICLES

COMPATIBLE OE PART NUMBERS

424988	CITROËN
424988	CITROËN (DF-PSA)
YL00204580	CITROËN (DF-PSA)
424988	FENGSHEN
1611840980	PEUGEOT
1618864280	PEUGEOT
424988	PEUGEOT
YL00204580	PEUGEOT (DF-PSA)