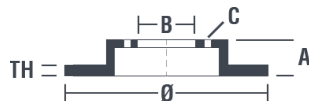


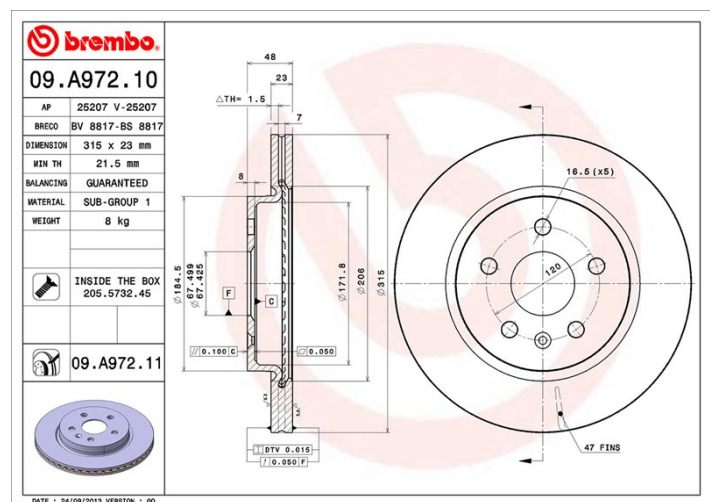
Caractéristiques techniques du disque

Essieu Arrière	Diamètre 315 mm
Hauteur totale (A) 48 mm	Diamètre de centrage (B) 67,4 mm
Nombre de trous de fixation (C) 5	Épaisseur (TH) 23 mm
Épaisseur min. 21,5 mm	Couple de serrage 150 N.m
Unités par boîte 2	Code EAN 8020584025871



Références marques

Brembo 09.A972.10	AP 25207	Breco BS 8817
-----------------------------	--------------------	-------------------------



Spécifications techniques

Véhicules couverts

BUICK (SGM)

Modèle	Type	kW	Année
LACROSSE (EG2)	2.0 Turbo	162	04/10 12/13
LACROSSE (EG2)	2.4	137	01/11 12/16
LACROSSE (EG2)	2.4 Hybrid	137	08/11 12/15

CHEVROLET

Modèle	Type	kW	Année
MALIBU (V300)	2.4	123	01/12 -

OPEL

Modèle	Type	kW	Année
INSIGNIA A (G09)	1.4 (68)	103	04/11 03/17
INSIGNIA A (G09)	2.0 Biturbo CDTI (68)	143	01/12 03/17

INSIGNIA A (G09)	2.0 Biturbo CDTI 4x4 (68)	143	01/12 03/17
INSIGNIA A (G09)	2.0 CDTI (68)	103	06/13 03/17
INSIGNIA A (G09)	2.0 CDTI (68)	120	07/13 03/17
INSIGNIA A (G09)	2.0 E85 Turbo (68)	162	10/10 03/17
INSIGNIA A (G09)	2.0 Turbo 4x4 (68)	184	07/11 03/17
INSIGNIA A Saloon (G09)	1.4 (69)	103	04/11 03/17
INSIGNIA A Saloon (G09)	2.0 Biturbo CDTI (69)	143	01/12 03/17
INSIGNIA A Saloon (G09)	2.0 Biturbo CDTI 4x4 (69)	143	01/12 03/17
INSIGNIA A Saloon (G09)	2.0 CDTI (69)	103	06/13 03/17
INSIGNIA A Saloon (G09)	2.0 Turbo 4x4 (69)	184	07/11 03/17
INSIGNIA A Saloon (G09)	2.0 Turbo E85 (69)	162	07/08 03/17
INSIGNIA A Sports Tourer (G09)	1.4 (35)	103	09/11 06/13
INSIGNIA A Sports Tourer (G09)	2.0 Biturbo CDTI (35)	143	01/12 06/15
INSIGNIA A Sports Tourer (G09)	2.0 Biturbo CDTI 4x4 (35)	143	01/12 06/15
INSIGNIA A Sports Tourer (G09)	2.0 E85 Turbo (35)	162	09/10 11/11
INSIGNIA A Sports Tourer (G09)	2.0 Turbo 4x4 (35)	184	09/11 06/13

SAAB

Modèle	Type	kW	Année
9-5 (YS3G)	2.0 TTiD	140	05/10 01/12
9-5 (YS3G)	2.0 TTiD XWD	140	05/10 01/12

VAUXHALL

Modèle	Type	kW	Année
INSIGNIA Mk I (A) Hatchback (G09)	1.4 (68)	103	04/11 05/17
INSIGNIA Mk I (A) Hatchback (G09)	2.0 Biturbo CDTI (68)	143	03/12 05/17
INSIGNIA Mk I (A) Hatchback (G09)	2.0 Biturbo CDTI 4x4 (68)	143	03/12 05/17
INSIGNIA Mk I (A) Hatchback (G09)	2.0 CDTI (68)	81	07/08 05/17
INSIGNIA Mk I (A) Hatchback (G09)	2.0 CDTI (68)	103	07/13 05/17
INSIGNIA Mk I (A) Hatchback (G09)	2.0 CDTI (68)	120	07/13 05/17
INSIGNIA Mk I (A) Hatchback (G09)	2.0 CDTI (68)	140	10/08 05/17
INSIGNIA Mk I (A) Hatchback (G09)	2.0 CDTI 4x4 (68)	140	05/09 05/17
INSIGNIA Mk I (A) Saloon (G09)	1.4 (69)	103	04/11 05/17
INSIGNIA Mk I (A) Saloon (G09)	2.0 Biturbo CDTI (69)	143	03/12 05/17
INSIGNIA Mk I (A) Saloon (G09)	2.0 Biturbo CDTI 4x4 (69)	143	03/12 05/17
INSIGNIA Mk I (A) Saloon (G09)	2.0 CDTI (69)	103	07/13 05/17

INSIGNIA Mk I (A) Saloon (G09)	2.0 CDTI (69)	120	07/13 05/17
INSIGNIA Mk I (A) Saloon (G09)	2.0 CDTI (69)	140	11/08 05/17
INSIGNIA Mk I (A) Saloon (G09)	2.0 CDTI 4x4 (69)	140	05/09 05/17
INSIGNIA Mk I (A) Sports Tourer (G09)	1.4 (35)	103	04/11 05/17
INSIGNIA Mk I (A) Sports Tourer (G09)	2.0 Biturbo CDTI (35)	143	03/12 05/17
INSIGNIA Mk I (A) Sports Tourer (G09)	2.0 Biturbo CDTI 4x4 (35)	143	03/12 05/17
INSIGNIA Mk I (A) Sports Tourer (G09)	2.0 CDTI (35)	81	07/08 05/17
INSIGNIA Mk I (A) Sports Tourer (G09)	2.0 CDTI (35)	103	07/13 05/17
INSIGNIA Mk I (A) Sports Tourer (G09)	2.0 CDTI (35)	120	07/13 05/17
INSIGNIA Mk I (A) Sports Tourer (G09)	2.0 CDTI (35)	140	11/08 05/17
INSIGNIA Mk I (A) Sports Tourer (G09)	2.0 CDTI 4x4 (35)	140	05/09 05/17

Refs constructeur

Références constructeurs compatibles

BUICK	23118534
CADILLAC	23118534
CHEVROLET	23118534
OPEL	569062
OPEL	569128
SAAB	13502199
VAUXHALL	13501303
VAUXHALL	13502199