

Tambour 14.7096.10



Caractéristiques techniques du tambour

Essieu Arrière

Diamètre (Ø)
254,00 mm

Diamètre max. (Diamètre max.)
256,00 mm

Diamètre max.
256,00 mm

Largeur
62,00 mm

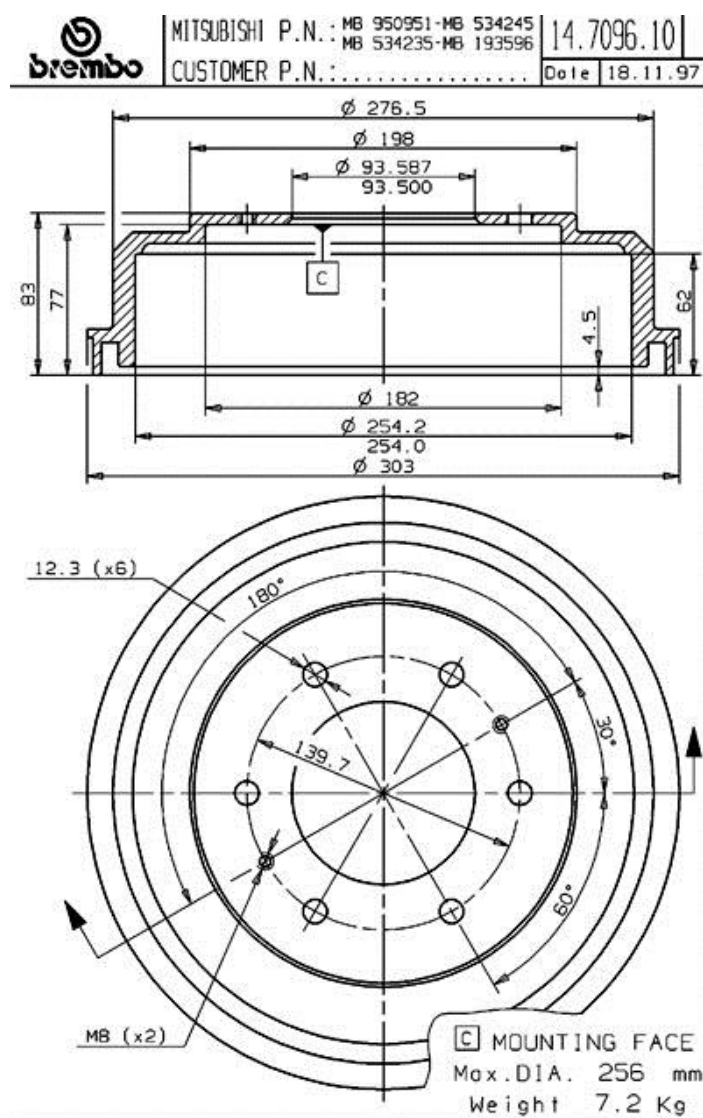
Diamètre de centrage (B)
93,5 mm

Hauteur totale (C)
83,00 mm

Nombre de perforations (D)
6,00

Roulement

Code EAN
8020584709610



Véhicules couverts

mitsubishi

Modèle	Type	kW	Année
L 200 (K3_T, K2_T, K1_T, K0_T)	2.0 (K12T, K32T)	75	11/86 08/96

L 200 (K3_T, K2_T, K1_T, K0_T)	2.0 4WD (K32T, K22T)	75	11/86 08/96
L 200 (K3_T, K2_T, K1_T, K0_T)	2.5 TD 4WD (K34T)	64	11/92 08/96
L 200 (K3_T, K2_T, K1_T, K0_T)	2.6 4WD (K33T)	76	11/89 05/95
L 200 (K7_T, K6_T)	2.5 TD (K64T)	66	08/01 11/05
L 300 / DELICA II Box (L03_P)	2.3 D (L038P, L068P)	50	09/83 10/86
L 300 / DELICA II Bus (LO3_P/G, L0_2P)	1.6 (L032P, L062P)	48	09/81 10/86
L 300 / DELICA II Bus (LO3_P/G, L0_2P)	1.6 (L032P, L062P)	51	11/84 02/87
L 300 / DELICA II Bus (LO3_P/G, L0_2P)	1.8 4WD (L035G)	60	08/84 02/87
L 300 / DELICA II Bus (LO3_P/G, L0_2P)	2.0 4WD (L037G)	65	11/86 02/87
L 300 / DELICA II Platform/Chassis (L03_P)	1.6 (L032P, L062P)	51	04/83 04/94
L 300 / DELICA II Platform/Chassis (L03_P)	2.5 D (L039P)	51	11/86 04/94
L 300 III Box (P0_V, P1_V, P_2V)	2.0 (P23W, P23V)	82	06/94 05/02
L 300 III Bus (P0_W, P1_W, P2_W)	2.0 (P03W, P13W)	66	11/86 05/04
L 300 III Bus (P0_W, P1_W, P2_W)	2.0 4WD (P23W, P03W, P13W)	66	11/86 05/04
L 300 III Bus (P0_W, P1_W, P2_W)	2.0 i (P00W, P03W, P13W)	83	06/94 10/98
L 300 III Bus (P0_W, P1_W, P2_W)	2.4 (P04W, P14W)	82	11/90 05/04
L 300 III Bus (P0_W, P1_W, P2_W)	2.4 4WD (P24W)	82	08/86 05/04
L 300 III Bus (P0_W, P1_W, P2_W)	2.4 4WD (P24W)	80	11/86 12/90
L 300 III Bus (P0_W, P1_W, P2_W)	2.5 D (P05W, P15W, P25W)	51	11/86 05/04
L 300 III Bus (P0_W, P1_W, P2_W)	2.5 TD 4WD (P25W)	64	11/88 05/04
L 300 III Platform/Chassis (P1_T)	2.0 (P13T)	85	07/94 04/00
L 300 III Platform/Chassis (P1_T)	2.5 TD (P15T)	64	11/94 04/00
PAJERO I (L04_G, L14_G)	2.0 4WD	81	01/83 02/91
PAJERO I (L04_G, L14_G)	2.0 Turbo 4WD	107	10/84 02/91
PAJERO I (L04_G, L14_G)	2.5 TD (L044G, L049G)	64	04/87 12/91
PAJERO I (L04_G, L14_G)	2.5 TD (L044G, L049G)	70	11/89 11/90
PAJERO I (L04_G, L14_G)	3.0 V6 (L141G, L146G)	104	11/88 11/90
PAJERO I Canvas Top (L04_G)	2.3 TD (L043G, L048G)	62	12/82 04/86
PAJERO I Canvas Top (L04_G)	2.5 TD (L044G, L049G)	62	05/86 10/89
PAJERO I Canvas Top (L04_G)	2.5 TD (L044G, L049G)	70	11/89 11/90
PAJERO I Canvas Top (L04_G)	2.6 (L042G, L047G)	76	01/83 11/90

Refs constructeur

Références constructeurs compatibles

DODGE	MB193596
-------	----------

DODGE	MB534245
-------	----------

MITSUBISHI	MB193596
------------	----------

MITSUBISHI	MB534245
------------	----------

MITSUBISHI	MB950951
------------	----------

PLYMOUTH	MB193596
----------	----------

PLYMOUTH	MB534235
----------	----------

PLYMOUTH	MB534245
----------	----------