



BRAKE PAD XTRA CERAMIC P09016NX

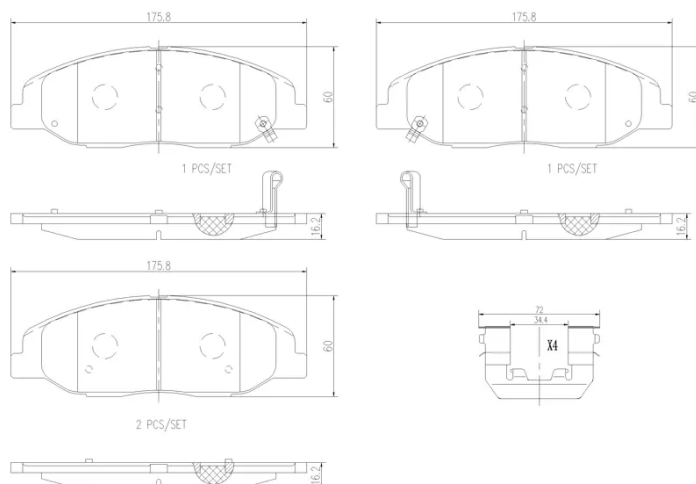
Xtra Ceramic brake pad P09016NX belongs to Brembo Cool Line

Brembo Xtra Ceramic brake pads have a specific compound which, beside being copper free, also contains less metal compared to Xtra pads. This feature make Xtra Ceramic more focused on comfort and cleaner rims, thanks to the ceramic friction material, while guaranteeing the top performance proper of the Xtra line. Xtra Ceramic range is fully ECE R90 homologated.

- ✓ Brembo quality
- ✓ ECE-R90 certificate
- ✓ Safety
- ✓ Performance
- ✓ Dust reduction
- ✓ Comfort

Technical specifications

EAN code 8020584130971	Axle Front	Thickness 15 mm
Width 176 mm	Height 60 mm	Braking system Mando
Wear indicator Acoustic	WVA number 24937,24938,24939	Accessories With anti-squeal shim



COMPATIBLE VEHICLES

COMPATIBLE OE PART NUMBERS

19421287	CADILLAC
22825195	CADILLAC
25814699	CADILLAC
9074788	CADILLAC (SGM)