



# BRAKE PAD PRIME CERAMIC P56073N

The P56073N NAO brake pad is synonymous with reliability

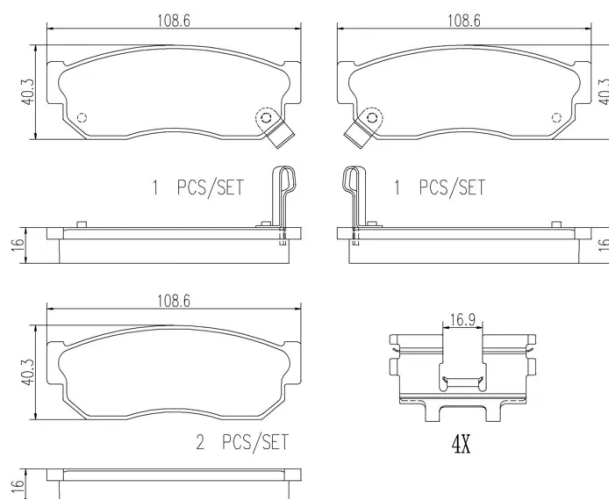
Brembo NAO brake pads stand out for their ultimate braking comfort, reduced friction wear and low dust mission, which makes for cleaner rims and reduced maintenance requirements. The advanced friction material in keeping with the strictest environmental standards is the main distinguishing feature of NAO compounds.

- ✓ OE-equivalent
- ✓ Brembo quality
- ✓ Safety
- ✓ Comfort
- ✓ Durability
- ✓ Dust reduction
- ✓ With accessories



## Technical specifications

EAN code <b>8020584098967</b>	Axle <b>Front</b>	Thickness <b>16 mm</b>
Width <b>109 mm</b>	Height <b>40 mm</b>	Braking system <b>Sumitomo</b>
Wear indicator <b>Acoustic</b>	Accessories <b>With anti-squeal shim</b>	



COMPATIBLE VEHICLES

## COMPATIBLE OE PART NUMBERS

4106011A93	NISSAN
------------	--------

4106014A90	NISSAN
------------	--------

4106061A90	NISSAN
------------	--------

4106075A90	NISSAN
------------	--------

4106075A92	NISSAN
------------	--------

4106077A90	NISSAN
------------	--------

4106077A90A5	NISSAN
--------------	--------

4106089A91	NISSAN
------------	--------

41060A1787	NISSAN
------------	--------

41060A1887	NISSAN
------------	--------

D106M77A90VW	SUBARU
--------------	--------