



BRAKE PAD PRIME CERAMIC P65045N

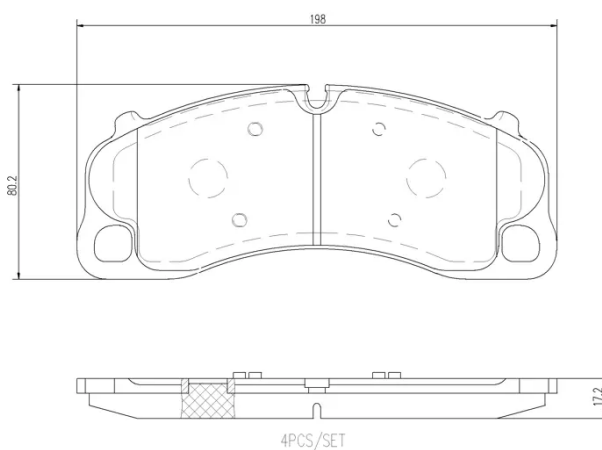
The P65045N NAO brake pad is synonymous with reliability

Brembo NAO brake pads stand out for their ultimate braking comfort, reduced friction wear and low dust mission, which makes for cleaner rims and reduced maintenance requirements. The advanced friction material in keeping with the strictest environmental standards is the main distinguishing feature of NAO compounds.

- ✓ OE-equivalent
- ✓ Brembo quality
- ✓ Safety
- ✓ Comfort
- ✓ Durability
- ✓ Dust reduction
- ✓ With accessories

Technical specifications

EAN code	Axle	Thickness
8020584119785	Front	17 mm
Width	Height	
198 mm	80 mm	
Wear indicator	WVA number	Accessories
Prepared for wear indicator	25519	With anti-squeal shim



COMPATIBLE VEHICLES

COMPATIBLE OE PART NUMBERS

99135194701 PORSCHE

99135194702 PORSCHE

99135194704 PORSCHE

992698075E PORSCHE

992698151AT PORSCHE

992698151H PORSCHE
