



BRAKE PAD

P 16 012

The P 16 012 brake pad is synonymous with reliability

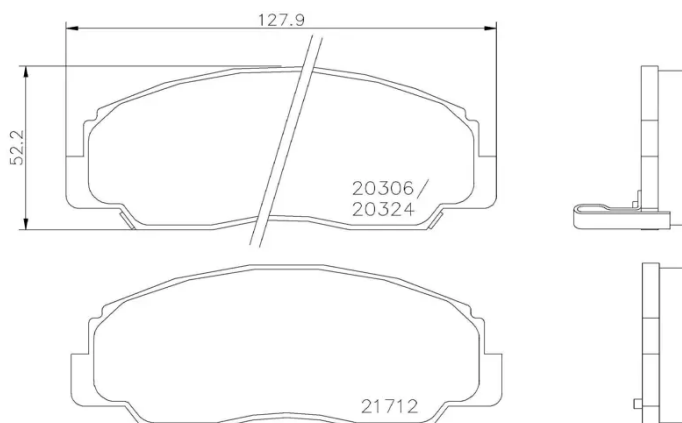
The Brembo brake pad guarantees ultimate safety when braking thanks to the use of more than 100 different compounds, designed according to the type of vehicle and use. Stopping distances reduced to a minimum, maximum driving comfort and silent operation are the most important features of Brembo materials. Brembo brake pads are supplied together with an extensive range of accessories and assembly kits for professional-standard installation.

- ✓ OE-equivalent
- ✓ Brembo quality
- ✓ ECE-R90 certificate
- ✓ Safety
- ✓ Performance
- ✓ Comfort



Technical specifications

EAN code	Axle	Thickness
8020584060223	Front	14 mm
Width	Height	Braking system
128 mm	52 mm	Akebono
Wear indicator	WVA number	Accessories
Acoustic	20306,20324,21712	With anti-squeal shim



COMPATIBLE VEHICLES

COMPATIBLE OE PART NUMBERS

0449160060 DAIHATSU

0449160060000 DAIHATSU

0449187606 DAIHATSU

0449187606000 DAIHATSU

0449187607 DAIHATSU

0449187607000 DAIHATSU

0449187608000 DAIHATSU

0449187609000 DAIHATSU

0449187610 DAIHATSU

0449187610000 DAIHATSU

0449187611000 DAIHATSU

0449187623000 DAIHATSU

0446520220 TOYOTA

0446527070 TOYOTA

0446532040 TOYOTA

0446532060 TOYOTA

0446532070 TOYOTA

0446532090 TOYOTA

0446560090 TOYOTA

0449120430 TOYOTA

0449120860 TOYOTA

0449132160 TOYOTA

0449132170 TOYOTA

0449132230 TOYOTA

0449132231 TOYOTA

0449132240 TOYOTA

0449132241 TOYOTA

0449132250 TOYOTA

0449132251 TOYOTA

0449132281 TOYOTA

0449132290 TOYOTA

0449132320 TOYOTA

0449132390 TOYOTA