

Caractéristiques techniques des plaquettes

Essieu
Arrière

WVA
21563, 21744, 25122

Largeur
131,6 mm

Épaisseur
13 mm

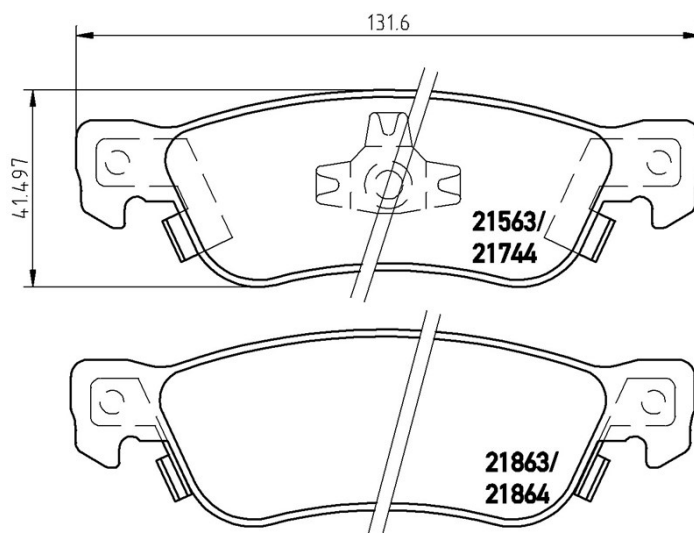
Hauteur
41,5 mm

Système de freinage
Akebono

Accessoires
Avec clip de piston

Témoin d'usure
Acoustique

Code EAN
8020584052921



Véhicules couverts

ISUZU			
Modèle	Type	kW	Année
TROOPER I (UBS)	2.2 D 4WD	39	05/84 12/89
TROOPER I (UBS)	2.6 4WD	85	11/86 07/91
TROOPER I (UBS)	2.8 TD (UBS55)	71	10/87 12/91
TROOPER I (UBS)	2.8 TD (UBS55)	78	10/88 12/91
TROOPER I (UBS)	2.8 TD 4WD	81	11/86 07/91
TROOPER I Open Off-Road Vehicle (UBS)	2.0 (UBS13)	58	01/83 12/85
TROOPER I Open Off-Road Vehicle (UBS)	2.2 D (UBS52)	45	01/83 12/83
TROOPER I Open Off-Road Vehicle (UBS)	2.2 D 4x4	39	05/84 07/89
TROOPER I Open Off-Road Vehicle (UBS)	2.2 TD (UBS52)	53	03/84 12/91
TROOPER I Open Off-Road Vehicle (UBS)	2.3 (UBS16)	66	11/85 12/91

TROOPER I Open Off-Road Vehicle (UBS)	2.6 i (UBS17)	85	10/87 12/91
TROOPER I Open Off-Road Vehicle (UBS)	2.8 TD 4x4	81	11/86 07/91

Refs constructeur

Références constructeurs compatibles

ISUZU	4317859
ISUZU	894362154
ISUZU	8943621540
ISUZU	894483222
ISUZU	8944832220
ISUZU	894483223
ISUZU	8944832230
ISUZU	897041540
ISUZU	8970415400
ISUZU	897066610
ISUZU	8970666100
ISUZU	897066611
ISUZU	8970666110
ISUZU	897102613
ISUZU	897206874
ISUZU	897206875
ISUZU	94362154
ISUZU	94482223
ISUZU	94483223
NISSAN	AY060SZ003