

Caractéristiques techniques des plaquettes

Essieu
Arrière

WVA
20687

Largeur
61,6 mm

Épaisseur
15,5 mm

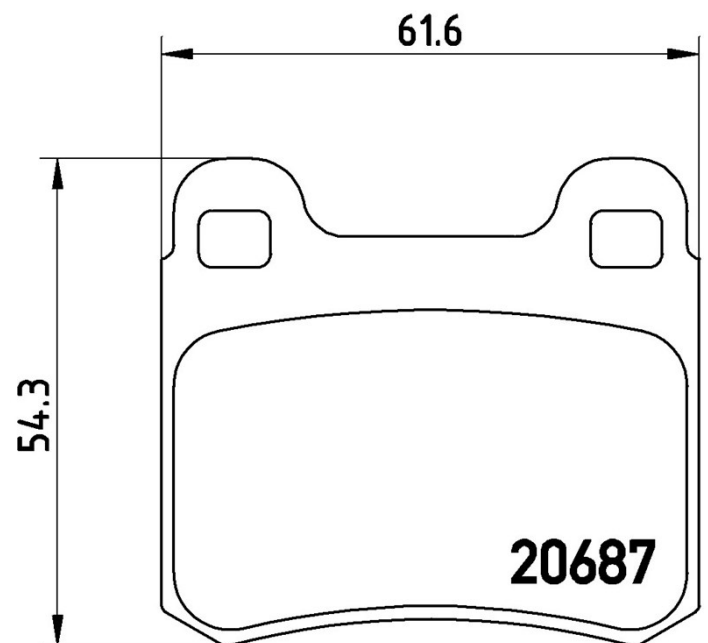
Hauteur
54,3 mm

Système de freinage
Teves

Accessoires

Témoin d'usure
Sans

Code EAN
8020584053850



Véhicules couverts

MERCEDES-BENZ

Modèle	Type	kW	Année
190 (W201)	E 2.3-16	130	09/85 08/88
190 (W201)	E 2.3-16	125	09/85 12/87
190 (W201)	E 2.3-16 (201.034)	136	04/84 01/87
190 (W201)	E 2.5-16	143	03/89 08/93
190 (W201)	E 2.5-16	150	09/88 08/93
C-CLASS (W202)	C 180 (202.018)	90	03/93 05/00
C-CLASS (W202)	C 180 (202.018)	89	11/94 05/00
C-CLASS (W202)	C 200 (202.020)	100	01/94 05/00

C-CLASS (W202)	C 200 D (202.120)	55	03/93 05/00
C-CLASS (W202)	C 200 D (202.122)	65	10/96 05/00
C-CLASS (W202)	C 220 (202.022)	110	03/93 05/00
C-CLASS (W202)	C 220 D (202.021)	55	07/96 05/00
C-CLASS (W202)	C 220 D (202.121)	70	08/93 05/00
C-CLASS (W202)	C 230 (202.023)	110	06/96 06/97
C-CLASS (W202)	C 250 D (202.125)	83	05/93 05/00
C-CLASS (W202)	C 280 (202.028)	142	05/93 05/00
COUPE (C124)	220 CE (124.042)	110	10/92 05/93
COUPE (C124)	230 CE (124.043)	97	03/87 12/92
COUPE (C124)	230 CE (124.043)	100	03/87 12/92
COUPE (C124)	230 CE Cat (124.043)	97	06/89 12/92
COUPE (C124)	300 CE	138	03/87 12/89
COUPE (C124)	300 CE (124.050)	132	03/87 05/93
E-CLASS (W124)	E 200 (124.019)	100	06/93 06/95
E-CLASS (W124)	E 200 D (124.120)	55	06/93 06/95
E-CLASS (W124)	E 220 (124.022)	110	06/93 06/95
E-CLASS (W124)	E 250 D (124.126, 124.129)	83	07/93 06/95
E-CLASS (W124)	E 250 Turbo-D (124.128)	93	06/93 06/95
E-CLASS (W124)	E 280 (124.028)	145	06/93 06/95
E-CLASS (W124)	E 280 (124.029)	142	06/93 06/95
E-CLASS (W124)	E 300 4-matic (124.230)	132	06/93 06/95
E-CLASS (W124)	E 300 D (124.131)	100	07/93 06/95
E-CLASS (W124)	E 300 Turbo-D (124.133)	108	06/93 06/95
E-CLASS (W124)	E 300 Turbo-D 4-matic (124.333)	108	06/93 06/95
E-CLASS Coupe (C124)	E 200 (124.040)	100	06/93 06/97
E-CLASS Coupe (C124)	E 220 (124.042)	110	06/93 06/97
SALOON (W124)	200	77	01/86 10/92
SALOON (W124)	200 (124.020)	75	01/86 05/90
SALOON (W124)	200 (124.020)	80	12/85 05/90
SALOON (W124)	200 D (124.120)	55	08/89 06/93
SALOON (W124)	200 D (124.120)	53	12/84 08/89
SALOON (W124)	200 E (124.019)	100	10/92 06/93

SALOON (W124)	200 E (124.021)	87	09/88 08/92
SALOON (W124)	200 E (124.021)	90	09/88 12/89
SALOON (W124)	220 E (124.022)	110	10/92 06/93
SALOON (W124)	230 E (124.023)	100	01/85 06/93
SALOON (W124)	230 E (124.023)	97	12/84 03/92
SALOON (W124)	230 E Cat (124.023)	97	06/89 06/93
SALOON (W124)	250 D (124.125)	69	01/89 06/93
SALOON (W124)	250 D (124.125)	66	04/85 06/93
SALOON (W124)	250 Turbo-D (124.128)	93	09/88 06/93
SALOON (W124)	260 E (124.026)	118	09/85 08/92
SALOON (W124)	260 E (124.026)	122	09/85 12/89
SALOON (W124)	260 E 4-matic (124.226)	118	09/86 08/92
SALOON (W124)	260 E 4-matic (124.226)	122	12/86 12/89
SALOON (W124)	280 E (124.028)	145	10/92 06/93
SALOON (W124)	300 D (124.130)	81	06/90 06/93
SALOON (W124)	300 D (124.130)	83	08/89 06/93
SALOON (W124)	300 D (124.130)	80	12/84 08/89
SALOON (W124)	300 D 4-matic (124.330)	83	08/89 06/93
SALOON (W124)	300 D 4-matic (124.330)	80	09/86 08/92
SALOON (W124)	300 E	138	01/85 12/85
SALOON (W124)	300 E	138	06/85 08/92
SALOON (W124)	300 E (124.030)	132	08/85 08/92
SALOON (W124)	300 E 4-matic	138	09/86 02/92
SALOON (W124)	300 E 4-matic (124.230)	132	09/86 06/93
SALOON (W124)	300 Turbo-D (124.133)	105	09/86 09/88
SALOON (W124)	300 Turbo-D (124.133)	108	09/88 06/93
SALOON (W124)	300 Turbo-D 4-matic (124.333)	108	01/88 06/93
SALOON (W124)	300 Turbo-D 4-matic (124.333)	105	09/86 09/88

Refs constructeur

Références constructeurs compatibles

MERCEDES-BENZ	0004209820
MERCEDES-BENZ	A0004209820