



BRAKE PAD

P 50 018

The P 50 018 brake pad is synonymous with reliability


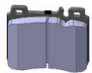
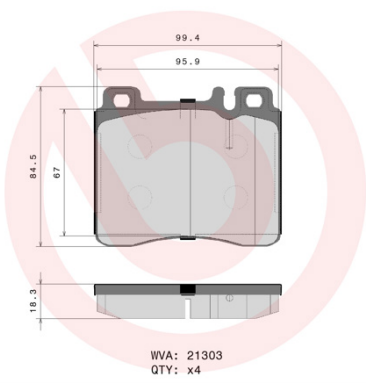
The Brembo brake pad guarantees ultimate safety when braking thanks to the use of more than 100 different compounds, designed according to the type of vehicle and use. Stopping distances reduced to a minimum, maximum driving comfort and silent operation are the most important features of Brembo materials. Brembo brake pads are supplied together with an extensive range of accessories and assembly kits for professional-standard installation.

- ✓ OE-equivalent
- ✓ Brembo quality
- ✓ ECE-R90 certificate
- ✓ Safety
- ✓ Performance
- ✓ Comfort



Technical specifications

EAN code 8020584053904	Axle Front	Thickness 19 mm
Width 100 mm	Height 86 mm	Braking system Girling
Wear indicator Prepared for wear indicator	WVA number 21303	

	P 50 018		407.E672.A76
			
DATE : 09/09/2022 VERSION : 00			

COMPATIBLE VEHICLES

COMPATIBLE OE PART NUMBERS

0024200420	MERCEDES-BENZ
------------	---------------

0024201220	MERCEDES-BENZ
------------	---------------

002420122005	MERCEDES-BENZ
--------------	---------------

0024202620	MERCEDES-BENZ
------------	---------------

002420262005	MERCEDES-BENZ
--------------	---------------

0054200520	MERCEDES-BENZ
------------	---------------

A0024200420	MERCEDES-BENZ
-------------	---------------

A0024201220	MERCEDES-BENZ
-------------	---------------

A002420122005	MERCEDES-BENZ
---------------	---------------

A0024202620	MERCEDES-BENZ
-------------	---------------

A002420262005	MERCEDES-BENZ
---------------	---------------

A0054200520	MERCEDES-BENZ
-------------	---------------