

## Caractéristiques techniques des plaquettes

**Essieu**  
Arrière

**WVA**  
21898, 21899

**Largeur**  
63,7 mm

**Épaisseur**  
15,7 mm

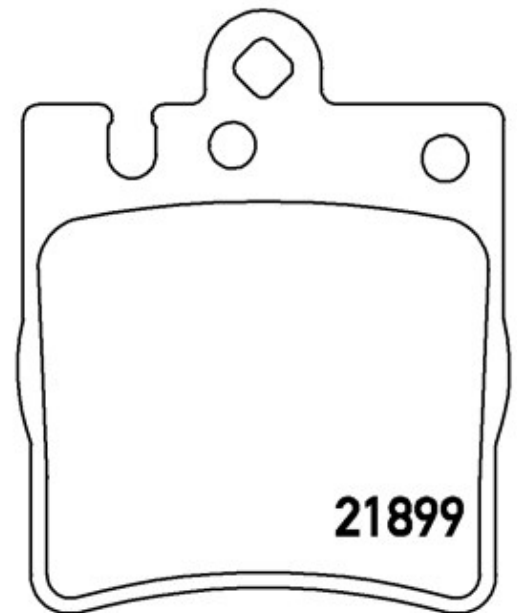
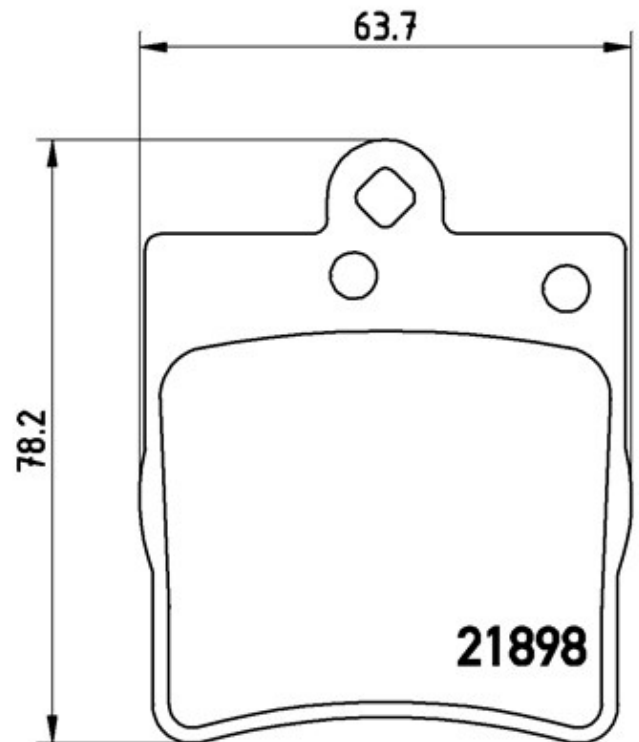
**Hauteur**  
78,2 mm

**Système de freinage**  
Teves

**Accessoires**

**Témoin d'usure**  
Conçue

**Code EAN**  
8020584068939



## Véhicules couverts

### MERCEDES-BENZ

Modèle	Type	kW	Année
C-CLASS (W203)	C 180 Kompressor (203.046)	105	05/02 02/07
C-CLASS (W203)	C 200 CDI (203.004)	75	02/01 06/03
C-CLASS (W203)	C 200 CDI (203.004)	85	09/00 06/03

C-CLASS (W203)	C 200 CDI (203.007)	90	04/03 02/07
C-CLASS (W203)	C 200 CGI Kompressor (203.043)	125	07/03 02/07
C-CLASS (W203)	C 200 Kompressor (203.042)	120	05/02 02/07
C-CLASS (W203)	C 220 CDI (203.006)	100	05/00 02/07
C-CLASS (W203)	C 220 CDI (203.006)	105	05/00 02/07
C-CLASS (W203)	C 220 CDI (203.008)	110	02/03 02/07
C-CLASS (W203)	C 230 (203.052)	150	01/05 02/07
C-CLASS (W203)	C 230 Kompressor (203.040)	141	02/04 02/07
C-CLASS (W203)	C 240 (203.061)	125	05/00 02/07
C-CLASS (W203)	C 240 4-matic (203.081)	125	07/02 02/07
C-CLASS (W203)	C 270 CDI (203.016)	125	12/00 02/07
C-CLASS (W203)	C 280 (203.054)	170	01/05 02/07
C-CLASS (W203)	C 280 4-matic (203.092)	170	01/05 02/07
C-CLASS (W203)	C 320 (203.064)	160	05/00 02/07
C-CLASS (W203)	C 320 4-matic (203.084)	160	07/02 02/07
C-CLASS (W203)	C 320 CDI (203.020)	165	01/05 02/07
C-CLASS (W203)	C 350 (203.056)	200	01/05 02/07
C-CLASS (W203)	C 350 4-matic (203.087)	200	01/05 02/07
C-CLASS Coupe (CL203)	C 230 (203.752)	150	01/05 05/08
C-CLASS Coupe (CL203)	C 230 Kompressor (203.740)	141	05/02 05/08
C-CLASS Coupe (CL203)	C 230 Kompressor (203.747)	145	03/01 05/02
C-CLASS Coupe (CL203)	C 320 (203.764)	160	09/02 05/08
C-CLASS Coupe (CL203)	C 350 (203.756)	200	01/05 05/08
C-CLASS T-Model (S203)	C 180 (203.235)	95	03/01 05/02
C-CLASS T-Model (S203)	C 180 Kompressor (203.246)	105	05/02 08/07
C-CLASS T-Model (S203)	C 200 CDI (203.204)	85	03/01 08/07
C-CLASS T-Model (S203)	C 200 CDI (203.204, 203.207)	75	03/01 08/07
C-CLASS T-Model (S203)	C 200 CDI (203.207)	90	04/03 08/07
C-CLASS T-Model (S203)	C 200 CGI Kompressor (203.243)	125	07/03 08/07
C-CLASS T-Model (S203)	C 200 Kompressor (203.242)	120	05/02 08/07
C-CLASS T-Model (S203)	C 200 Kompressor (203.245)	120	03/01 05/02
C-CLASS T-Model (S203)	C 220 CDI (203.206)	105	03/01 08/07
C-CLASS T-Model (S203)	C 220 CDI (203.208)	110	02/04 08/07

C-CLASS T-Model (S203)	C 220 CDI (203.208)	100	08/06 08/07
C-CLASS T-Model (S203)	C 230 (203.252)	150	01/05 08/07
C-CLASS T-Model (S203)	C 230 Kompressor (203.240)	141	02/04 08/07
C-CLASS T-Model (S203)	C 240 (203.261)	125	03/01 08/07
C-CLASS T-Model (S203)	C 240 4-matic (203.281)	125	07/02 08/07
C-CLASS T-Model (S203)	C 270 CDI (203.216)	125	03/01 08/07
C-CLASS T-Model (S203)	C 280 (203.254)	170	01/05 08/07
C-CLASS T-Model (S203)	C 280 4-matic (203.292)	170	01/05 08/07
C-CLASS T-Model (S203)	C 320 (203.264)	160	03/01 08/07
C-CLASS T-Model (S203)	C 320 4-matic (203.284)	160	07/02 08/07
C-CLASS T-Model (S203)	C 320 CDI (203.220)	165	06/05 08/07
C-CLASS T-Model (S203)	C 350 (203.256)	200	01/05 08/07
C-CLASS T-Model (S203)	C 350 4-matic (203.287)	200	01/05 08/07
CLC-CLASS (CL203)	CLC 230 (203.752)	150	05/08 06/11
CLC-CLASS (CL203)	CLC 350 (203.756)	200	05/08 06/11
CLK (C208)	320 (208.365)	160	06/97 06/02
CLK (C209)	200 CGI (209.343)	125	07/03 05/09
CLK (C209)	200 Kompressor (209.341)	135	10/06 05/09
CLK (C209)	200 Kompressor (209.342)	120	09/02 05/09
CLK (C209)	220 CDI (209.308)	100	01/05 05/09
CLK (C209)	220 CDI (209.308)	110	01/05 05/09
CLK (C209)	240 (209.361)	120	06/02 05/09
CLK (C209)	240 (209.361)	125	06/02 05/09
CLK (C209)	270 CDI (209.316)	120	02/03 06/05
CLK (C209)	270 CDI (209.316)	125	10/02 05/09
CLK (C209)	280 (209.354)	170	01/05 05/09
CLK (C209)	320 (209.365)	160	06/02 05/09
CLK (C209)	320 CDI (209.320)	165	01/05 05/09
CLK (C209)	350 (209.356)	200	01/05 05/09
CLK Convertible (A208)	320 (208.465)	160	03/98 03/02
CLK Convertible (A209)	CLK 200 CGI (209.343)	125	07/03 03/10
CLK Convertible (A209)	CLK 200 Kompressor (209.441)	135	10/06 03/10
CLK Convertible (A209)	CLK 200 Kompressor (209.442)	120	02/03 03/10

CLK Convertible (A209)	CLK 240 (209.461)	125	02/03 03/10
CLK Convertible (A209)	CLK 280 (209.454)	170	01/05 03/10
CLK Convertible (A209)	CLK 320 (209.465)	160	02/03 03/10
CLK Convertible (A209)	CLK 320 CDI (209.420)	165	03/05 03/10
CLK Convertible (A209)	CLK 350 (209.456)	200	01/05 03/10
E-CLASS (W210)	E 200 Kompressor (210.045)	137	06/97 03/02
E-CLASS (W210)	E 240 (210.061)	125	06/97 08/00
E-CLASS (W210)	E 240 (210.062)	125	08/00 03/02
E-CLASS (W210)	E 270 CDI (210.016)	120	07/99 03/02
E-CLASS (W210)	E 270 CDI (210.016)	125	07/99 03/02
E-CLASS (W210)	E 280 (210.053)	142	01/96 06/97
E-CLASS (W210)	E 280 (210.063)	150	12/96 03/02
E-CLASS (W210)	E 280 4-matic (210.081)	150	12/96 03/02
E-CLASS (W210)	E 300 Turbo-D (210.025)	130	12/96 07/99
E-CLASS (W210)	E 320 (210.055)	162	06/95 06/97
E-CLASS (W210)	E 320 (210.065)	160	09/97 12/98
E-CLASS (W210)	E 320 (210.065)	165	06/97 03/02
E-CLASS (W210)	E 320 4-matic (210.082)	165	06/97 03/02
E-CLASS (W210)	E 320 CDI (210.026)	145	07/99 03/02
E-CLASS (W210)	E 420 (210.072)	205	01/96 06/97
E-CLASS (W210)	E 430 (210.070)	205	06/97 03/02
E-CLASS (W210)	E 430 4-matic (210.083)	205	05/99 03/02
E-CLASS Convertible (A124)	E 36 AMG (124.066)	200	05/94 03/98
E-CLASS Coupe (C124)	E 36 AMG (124.052)	200	05/94 06/97
E-CLASS T-Model (S210)	E 270 T CDI	120	02/00 03/03
E-CLASS T-Model (S210)	E 270 T CDI (210.216)	125	07/99 03/03
E-CLASS T-Model (S210)	E 300 T Turbo-D (210.225)	130	12/96 07/99
E-CLASS T-Model (S210)	E 320 T CDI (210.226)	145	07/99 03/03
S-CLASS Coupe (C215)	CL 55 AMG	349	09/03 12/05
S-CLASS Coupe (C215)	CL 55 AMG	367	09/03 08/06
SLK (R171)	200 Kompressor (171.442)	120	03/04 02/11
SLK (R171)	200 Kompressor (171.445)	135	01/08 02/11
SLK (R171)	280 (171.454)	170	01/05 02/11
SLK (R171)	300 (171.454)	170	04/09 02/11

SLK (R171)	350 (171.456)	200	06/04 02/11
SLK (R171)	350 (171.458)	224	01/08 02/11

## Refs constructeur

### Références constructeurs compatibles

MERCEDES-BENZ	0024205220
MERCEDES-BENZ	0034202820
MERCEDES-BENZ	0054201920
MERCEDES-BENZ	A0024205220
MERCEDES-BENZ	A0034202820
MERCEDES-BENZ	A0054201920