

Caractéristiques techniques des plaquettes

Essieu
Avant

WVA
24306

Largeur
146 mm

Épaisseur
20,6 mm

Hauteur
71,5 mm

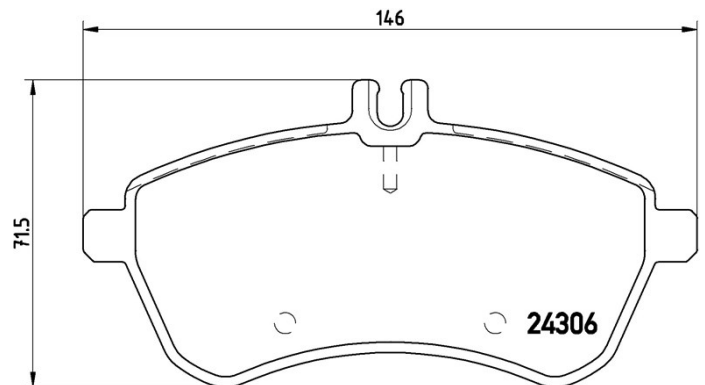
Système de freinage
Lucas

Accessoires
Avec accessoires
Avec vis d'étrier de frein

Témoin d'usure
Conçue



Code EAN
8020584061060



Véhicules couverts

MERCEDES-BENZ

Modèle	Type	kW	Année
C-CLASS (W204)	C 180 CDI (204.000)	88	01/11 01/14
C-CLASS (W204)	C 180 CGI (204.031)	115	01/08 01/14
C-CLASS (W204)	C 180 CGI (204.049)	115	01/07 01/14
C-CLASS (W204)	C 180 Kompressor (204.044, 204.045)	115	01/08 01/14
C-CLASS (W204)	C 180 Kompressor (204.046)	115	01/07 01/14
C-CLASS (W204)	C 200 (204.048)	137	05/11 01/14
C-CLASS (W204)	C 200 CDI (204.001)	100	01/11 01/14
C-CLASS (W204)	C 200 CDI (204.007, 204.006)	100	01/07 12/10
C-CLASS (W204)	C 200 CGI (204.048)	135	01/07 01/14
C-CLASS (W204)	C 200 Kompressor (204.041)	135	01/07 01/14
C-CLASS (W204)	C 220 CDI (204.002)	120	10/08 01/14
C-CLASS (W204)	C 220 CDI (204.002)	125	12/08 01/14

C-CLASS (W204)	C 220 CDI (204.008)	120	01/07 11/08
C-CLASS (W204)	C 220 CDI (204.008)	125	01/07 11/08
C-CLASS (W204)	C 220 CDI 4-matic (204.084)	125	02/13 01/14
C-CLASS (W204)	C 230 (204.052)	150	01/07 01/14
C-CLASS (W204)	C 230 4-matic (204.085)	150	07/07 01/14
C-CLASS (W204)	C 250 CDI (204.003)	150	08/08 01/14
C-CLASS (W204)	C 250 CDI 4-matic (204.082)	150	01/11 01/14
C-CLASS (W204)	C 250 CGI (204.047)	150	07/09 01/14
C-CLASS (W204)	C 280 (204.054)	170	01/07 01/14
C-CLASS (W204)	C 280 4-matic (204.081)	170	07/07 01/14
C-CLASS (W204)	C 300 (204.054)	170	07/09 01/14
C-CLASS (W204)	C 300 4-matic (204.081)	170	07/07 01/14
C-CLASS Coupe (C204)	C 180 (204.331)	115	01/13 -
C-CLASS Coupe (C204)	C 180 (204.349)	115	06/11 -
C-CLASS Coupe (C204)	C 200 CGI (204.348)	135	06/11 -
C-CLASS Coupe (C204)	C 220 CDI (204.302)	120	06/11 -
C-CLASS Coupe (C204)	C 220 CDI (204.302)	125	06/11 -
C-CLASS Coupe (C204)	C 250 (204.347)	150	06/11 -
C-CLASS Coupe (C204)	C 250 CDI (204.303)	150	06/11 -
C-CLASS T-Model (S204)	C 180 (204.231)	115	02/12 08/14
C-CLASS T-Model (S204)	C 180 CDI (204.200)	88	01/11 08/14
C-CLASS T-Model (S204)	C 180 CGI (204.249)	115	11/09 08/14
C-CLASS T-Model (S204)	C 180 Kompressor (204.245)	115	01/08 08/14
C-CLASS T-Model (S204)	C 180 Kompressor (204.246)	115	08/07 08/14
C-CLASS T-Model (S204)	C 200 CDI (204.201)	100	08/10 08/14
C-CLASS T-Model (S204)	C 200 CDI (204.207)	100	08/07 12/11
C-CLASS T-Model (S204)	C 200 CGI (204.248)	135	08/07 08/14
C-CLASS T-Model (S204)	C 200 Kompressor (204.241)	135	08/07 08/14
C-CLASS T-Model (S204)	C 220 CDI (204.202)	120	12/08 08/14
C-CLASS T-Model (S204)	C 220 CDI (204.202)	125	12/08 08/14
C-CLASS T-Model (S204)	C 220 CDI (204.208)	120	08/07 11/08
C-CLASS T-Model (S204)	C 220 CDI (204.208)	125	08/07 11/08
C-CLASS T-Model (S204)	C 220 CDI 4-matic (204.284)	125	02/13 08/14
C-CLASS T-Model (S204)	C 230 (204.252)	150	08/07 08/14

C-CLASS T-Model (S204)	C 250 CDI (204.203)	150	01/09 08/14
C-CLASS T-Model (S204)	C 250 CDI 4-matic (204.282)	150	04/10 08/14
C-CLASS T-Model (S204)	C 250 CGI (204.247)	150	07/09 08/14
C-CLASS T-Model (S204)	C 280 (204.254)	170	08/07 08/14
C-CLASS T-Model (S204)	C 300 (204.254)	170	08/07 08/14
E-CLASS (W212)	E 200 (212.034)	135	01/13 -
E-CLASS (W212)	E 200 CDI / BlueTEC (212.005, 212.006)	100	01/09 -
E-CLASS (W212)	E 200 CGI (212.048, 212.148)	135	08/09 -
E-CLASS (W212)	E 200 NGT (212.035)	115	07/13 -
E-CLASS (W212)	E 200 NGT (212.041)	120	03/11 -
E-CLASS (W212)	E 220 BlueTEC (212.001)	130	05/14 -
E-CLASS (W212)	E 220 CDI	120	01/09 -
E-CLASS (W212)	E 220 CDI / BlueTEC (212.001, 212.002)	125	01/09 -
E-CLASS (W212)	E 250 CDI / BlueTEC (212.003, 212.004)	150	01/09 -
E-CLASS (W212)	E 250 CDI / BlueTEC 4-matic (212.082, 212.097)	150	01/09 -
E-CLASS Convertible (A207)	E 200 (207.434)	135	03/13 -
E-CLASS Convertible (A207)	E 200 CGI (207.448)	135	01/10 -
E-CLASS Convertible (A207)	E 220 BlueTEC (207.401)	130	05/14 -
E-CLASS Convertible (A207)	E 220 CDI (207.402)	120	02/10 -
E-CLASS Convertible (A207)	E 220 CDI / BlueTEC / d (207.402, 207.401)	125	01/10 -
E-CLASS Convertible (A207)	E 250 CGI (207.447)	150	01/10 -
E-CLASS Coupe (C207)	E 200 (207.334)	135	06/13 -
E-CLASS Coupe (C207)	E 200 CGI (207.348)	135	01/10 -
E-CLASS Coupe (C207)	E 220 BlueTEC (207.301)	130	05/14 -
E-CLASS Coupe (C207)	E 220 CDI	120	07/14 -
E-CLASS Coupe (C207)	E 220 CDI / d (207.302, 207.301)	125	01/10 -
E-CLASS Coupe (C207)	E 250 CGI (207.347)	150	01/09 -
E-CLASS T-Model (S212)	E 200 (212.234)	135	11/12 -
E-CLASS T-Model (S212)	E 200 CDI / BlueTEC (212.205, 212.206)	100	11/09 -
E-CLASS T-Model (S212)	E 200 CGI (212.248)	135	11/09 -
E-CLASS T-Model (S212)	E 220 BlueTEC	130	05/15 -

E-CLASS T-Model (S212)	E 220 CDI (212.202)	120	08/09 -
E-CLASS T-Model (S212)	E 220 CDI / BlueTEC (212.202, 212.201)	125	11/09 -
SLC (R172)	180 (172.431)	115	01/16 -
SLK (R172)	200 (172.448)	135	02/11 -
SLK (R172)	250 (172.447)	150	02/11 -
SLK (R172)	250 CDI / d (172.403)	150	01/12 -

MERCEDES-BENZ (BBDC)

Modèle	Type	kW	Année
C-CLASS (W204)	C 180 (204.049)	115	08/13 12/14
C-CLASS (W204)	C 180 CGI	115	11/12 -
C-CLASS (W204)	C 180 K (204.045)	115	07/10 12/12
C-CLASS (W204)	C 200 (204.041)	135	03/08 12/09
C-CLASS (W204)	C 230 (204.052)	150	05/08 10/09
C-CLASS (W204)	C 260 (204.052)	150	01/09 12/10
C-CLASS (W204)	C 260 CGI (204.047)	150	10/09 12/14
C-CLASS (W204)	C 280 (204.054)	170	03/08 01/09
C-CLASS (W204)	C 300	180	07/11 12/14
C-CLASS (W204)	C 300 (204.054)	170	05/10 12/11

Refs constructeur

Références constructeurs compatibles

MERCEDES-BENZ	0054200820
MERCEDES-BENZ	0054201220
MERCEDES-BENZ	0074201620
MERCEDES-BENZ	0074205520
MERCEDES-BENZ	007420552095
MERCEDES-BENZ	0074205720
MERCEDES-BENZ	A0054200820
MERCEDES-BENZ	A0054201220
MERCEDES-BENZ	A0074201620
MERCEDES-BENZ	A0074205520
MERCEDES-BENZ	A007420552095
MERCEDES-BENZ	A0074205720