

Caractéristiques techniques des plaquettes

Essieu
Arrière

WVA
24848

Largeur
106,4 mm

Épaisseur
18,4 mm

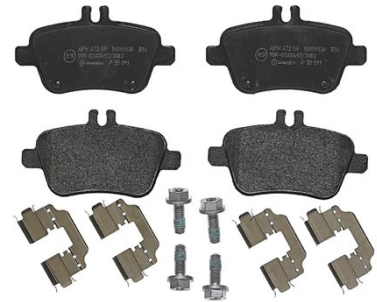
Hauteur
58,9 mm

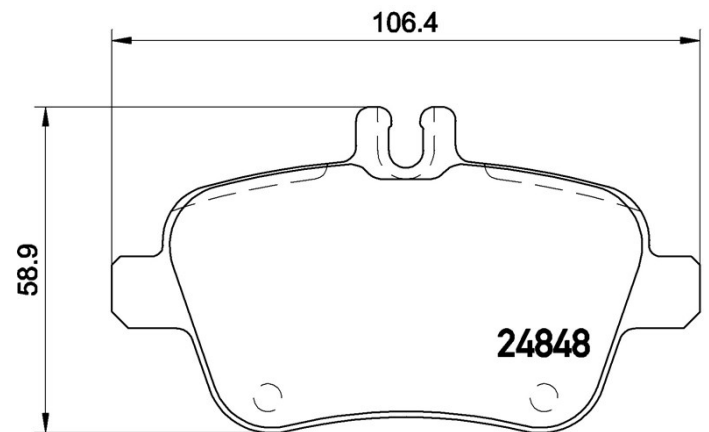
Système de freinage
TRW

Accessoires

Témoin d'usure
Conçue

Code EAN
8020584103234





Véhicules couverts

MERCEDES-BENZ

Modèle	Type	kW	Année
A-CLASS (W176)	A 160 (176.041)	75	07/15 -
A-CLASS (W176)	A 160 CDI / d (176.011)	66	06/13 -
A-CLASS (W176)	A 180 (176.042)	90	06/12 -
A-CLASS (W176)	A 180 CDI (176.000)	80	06/12 -
A-CLASS (W176)	A 180 CDI / d (176.012)	80	06/12 -
A-CLASS (W176)	A 200 (176.043)	115	06/12 -
A-CLASS (W176)	A 200 CDI (176.001)	100	06/12 -
A-CLASS (W176)	A 200 CDI / d (176.008)	100	02/14 -
A-CLASS (W176)	A 200 CDI / d 4-matic (176.002)	100	02/14 -
A-CLASS (W176)	A 220 4-matic (176.047)	135	05/14 -
A-CLASS (W176)	A 220 CDI (176.003)	120	01/14 -

A-CLASS (W176)	A 220 CDI (176.003)	125	09/12 -
A-CLASS (W176)	A 220 CDI 4-matic (176.005)	125	09/12 -
A-CLASS (W176)	A 220 d (176.003)	130	07/15 -
A-CLASS (W176)	A 220 d 4-matic (176.005)	130	07/15 -
A-CLASS (W176)	A 250 (176.044)	155	06/12 06/15
A-CLASS (W176)	A 250 (176.050)	160	07/15 -
A-CLASS (W176)	A 250 4-matic (176.046)	155	06/12 06/15
A-CLASS (W176)	A 250 4-matic (176.051)	160	07/15 -
B-CLASS (W246, W242)	B 160 (246.241)	75	07/15 -
B-CLASS (W246, W242)	B 160 CDI / d (246.211)	66	05/13 -
B-CLASS (W246, W242)	B 180 (246.242)	90	11/11 -
B-CLASS (W246, W242)	B 180 CDI (246.200)	80	11/11 -
B-CLASS (W246, W242)	B 180 CDI / d (246.212)	80	02/13 -
B-CLASS (W246, W242)	B 200 (246.243)	115	11/11 -
B-CLASS (W246, W242)	B 200 CDI (246.201)	100	11/11 -
B-CLASS (W246, W242)	B 200 CDI / d (246.208)	100	08/14 -
B-CLASS (W246, W242)	B 200 CDI / d 4-matic (246.202)	100	08/14 -
B-CLASS (W246, W242)	B 200 Natural Gas Drive / B 200 c (242.848)	115	11/12 -
B-CLASS (W246, W242)	B 220 (246.245)	135	08/14 -
B-CLASS (W246, W242)	B 220 4-matic (246.247)	135	05/13 -
B-CLASS (W246, W242)	B 220 CDI / d (246.203)	125	11/11 -
B-CLASS (W246, W242)	B 220 CDI / d (246.203)	120	06/13 -
B-CLASS (W246, W242)	B 220 CDI / d (246.203)	130	09/14 -
B-CLASS (W246, W242)	B 220 CDI / d 4-matic (246.205)	130	09/14 -
B-CLASS (W246, W242)	B 250 (246.244)	155	05/12 -
B-CLASS (W246, W242)	B 250 4-matic (246.246)	155	08/14 -
B-CLASS (W246, W242)	Electric Drive / B 250 e (242.890)	65	11/14 10/17
B-CLASS (W246, W242)	Electric Drive / B 250 e (242.890)	132	11/14 10/17
CLA Coupe (C117)	CLA 180 (117.342)	90	01/13 -
CLA Coupe (C117)	CLA 180 CDI / d (117.312)	80	10/13 -
CLA Coupe (C117)	CLA 200	135	07/16 -
CLA Coupe (C117)	CLA 200 (117.343)	115	01/13 -

CLA Coupe (C117)	CLA 200 CDI (117.301)	100	06/13 -
CLA Coupe (C117)	CLA 200 CDI / d (117.308)	100	07/14 -
CLA Coupe (C117)	CLA 200 CDI / d 4-matic (117.302)	100	07/14 -
CLA Coupe (C117)	CLA 220 (117.345)	135	04/16 -
CLA Coupe (C117)	CLA 220 4-matic (117.347)	135	04/16 -
CLA Coupe (C117)	CLA 220 CDI / d (117.303)	125	01/13 -
CLA Coupe (C117)	CLA 220 CDI / d (117.303)	120	01/13 -
CLA Coupe (C117)	CLA 220 CDI / d (117.303)	130	09/14 -
CLA Coupe (C117)	CLA 250 (117.344)	155	01/13 -
CLA Coupe (C117)	CLA 250 (117.350)	160	07/15 -
CLA Coupe (C117)	CLA 250 4-matic (117.346)	155	07/13 -
CLA Coupe (C117)	CLA 250 4-matic (117.351)	160	07/15 -
CLA Shooting Brake (X117)	CLA 180 (117.942)	90	01/15 -
CLA Shooting Brake (X117)	CLA 180 d (117.912)	80	07/15 -
CLA Shooting Brake (X117)	CLA 200 (117.943)	115	01/15 -
CLA Shooting Brake (X117)	CLA 200 CDI / d (117.908)	100	01/15 -
CLA Shooting Brake (X117)	CLA 220 CDI / d (117.903)	120	01/15 -
CLA Shooting Brake (X117)	CLA 220 CDI / d (117.903)	130	01/15 -
CLA Shooting Brake (X117)	CLA 250 (117.944)	155	01/15 -
CLA Shooting Brake (X117)	CLA 250 4-matic (117.946)	155	01/15 -
CLA Shooting Brake (X117)	CLA 250 4-matic (117.951)	160	07/15 -
GLA-CLASS (X156)	GLA 180 (156.942)	90	02/15 -
GLA-CLASS (X156)	GLA 180 CDI / d (156.912)	80	07/14 -
GLA-CLASS (X156)	GLA 200 (156.943)	115	12/13 -
GLA-CLASS (X156)	GLA 200 CDI / d (156.908)	100	12/13 -
GLA-CLASS (X156)	GLA 200 CDI 4-matic (156.902)	100	12/13 -
GLA-CLASS (X156)	GLA 220 (156.945)	135	01/17 -
GLA-CLASS (X156)	GLA 220 4-matic (156.947)	135	01/17 -
GLA-CLASS (X156)	GLA 220 CDI (156.903)	125	12/13 -
GLA-CLASS (X156)	GLA 220 CDI / d (156.903)	120	12/13 -
GLA-CLASS (X156)	GLA 220 CDI / d 4-matic (156.905)	120	12/13 -
GLA-CLASS (X156)	GLA 220 CDI 4-matic (156.905)	125	12/13 -

GLA-CLASS (X156)	GLA 220 d (156.903)	130	07/15 -
GLA-CLASS (X156)	GLA 220 d 4-matic (156.905)	130	07/15 -
GLA-CLASS (X156)	GLA 250 (156.944)	155	12/13 -
GLA-CLASS (X156)	GLA 250 4-matic (156.946)	155	12/13 -
SLC (R172)	180 (172.431)	115	01/16 -
SLC (R172)	200 (172.434)	135	01/16 -
SLC (R172)	250 d (172.404)	150	01/16 10/17
SLC (R172)	300 (172.438)	180	01/16 -
SLK (R172)	200 (172.434)	135	04/15 -
SLK (R172)	200 (172.448)	135	02/11 -
SLK (R172)	250 (172.447)	150	02/11 -
SLK (R172)	250 CDI / d (172.403)	150	01/12 -
SLK (R172)	300 (172.438)	180	07/15 -
SLK (R172)	350 (172.457)	225	02/11 -

MERCEDES-BENZ (BBDC)

Modèle	Type	kW	Année
GLA (X156)	200 (156.943)	115	04/15 -
GLA (X156)	220 4-matic (156.947)	135	04/15 -
GLA (X156)	260 4-matic (156.946)	155	04/15 -

Refs constructeur

Références constructeurs compatibles

MERCEDES-BENZ	0064202320
MERCEDES-BENZ	0064207920
MERCEDES-BENZ	0064208020
MERCEDES-BENZ	0064208320
MERCEDES-BENZ	0074209420
MERCEDES-BENZ	0074209520
MERCEDES-BENZ	64208020
MERCEDES-BENZ	A0064202320
MERCEDES-BENZ	A0064207920
MERCEDES-BENZ	A0064208020
MERCEDES-BENZ	A0064208320
MERCEDES-BENZ	A0074209420

