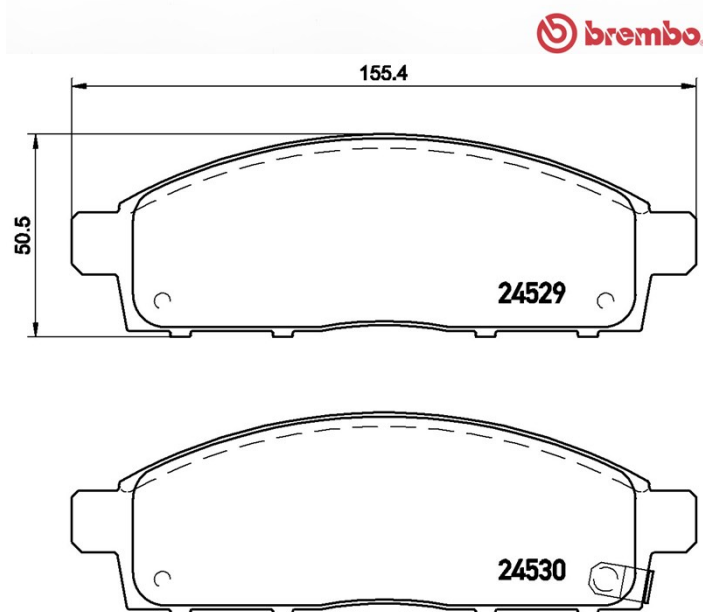


Caractéristiques techniques des plaquettes

Essieu Avant	WVA 24529, 24530
Largeur 155,5 mm	Épaisseur 16 mm
Hauteur 49 mm	Système de freinage Tokico
Accessoires	Témoin d'usure Acoustique
Code EAN 8020584061312	



Véhicules couverts

DONGNAN (SOU EAST)

Modèle	Type	kW	Année
ZINGER	2.0	125	12/08 -

FIAT

Modèle	Type	kW	Année
FULLBACK Pickup (502_, 503_)	2.4	97	01/16 -
FULLBACK Pickup (502_, 503_)	2.4 4x4	97	01/16 -
FULLBACK Pickup (502_, 503_)	2.4 D	113	01/16 -
FULLBACK Pickup (502_, 503_)	2.4 D 4x4	110	01/16 -
FULLBACK Pickup (502_, 503_)	2.4 D 4x4	113	01/16 -
FULLBACK Pickup (502_, 503_)	2.4 D 4x4	133	01/16 -

FULLBACK Pickup (502_, 503_)	2.5 D 4WD	81	01/16 -
FULLBACK Pickup (502_, 503_)	2.5 D 4x4	100	01/16 -
MITSUBISHI			
Modèle	Type	kW	Année
L 200 / TRITON (KA_T, KB_T)	2.4 (KA5T)	97	05/07 12/15
L 200 / TRITON (KA_T, KB_T)	2.4 (KA5T)	94	11/05 12/15
L 200 / TRITON (KA_T, KB_T)	2.4 4WD (KB5T)	94	09/09 12/12
L 200 / TRITON (KA_T, KB_T)	2.4 4WD (KB5T)	97	08/11 12/15
L 200 / TRITON (KA_T, KB_T)	2.4 CNG (KA5T)	94	04/10 12/15
L 200 / TRITON (KA_T, KB_T)	2.5 DiD (KA4T)	100	11/05 12/15
L 200 / TRITON (KA_T, KB_T)	2.5 DI-D (KA4T)	131	01/10 12/15
L 200 / TRITON (KA_T, KB_T)	2.5 DI-D (KA4T)	94	04/10 12/15
L 200 / TRITON (KA_T, KB_T)	2.5 DI-D (KA4T)	103	04/10 12/15
L 200 / TRITON (KA_T, KB_T)	2.5 DI-D (KA4T)	123	08/07 12/15
L 200 / TRITON (KA_T, KB_T)	2.5 DI-D 16V 4WD	98	04/07 12/15
L 200 / TRITON (KA_T, KB_T)	2.5 DI-D 4WD (KB4T)	103	04/10 12/15
L 200 / TRITON (KA_T, KB_T)	2.5 DI-D 4WD (KB4T)	131	04/10 12/15
L 200 / TRITON (KA_T, KB_T)	2.5 DI-D 4WD (KB4T)	123	10/07 12/15
L 200 / TRITON (KA_T, KB_T)	2.5 DI-D 4WD (KB4T)	100	11/05 12/15
L 200 / TRITON (KA_T, KB_T)	2.8 D 4WD (KB7T)	71	05/05 12/15
L 200 / TRITON (KA_T, KB_T)	3.2 DI-D 4WD (KB8T)	118	07/06 12/09
L 200 / TRITON (KA_T, KB_T)	3.5 (KA9T)	135	07/06 12/11
L 200 / TRITON (KA_T, KB_T)	3.5 4WD (KB9T)	147	05/07 12/15
L 200 / TRITON (KA_T, KB_T)	3.5 4WD (KB9T)	135	07/06 12/10
L 200 / TRITON (KA_T, KB_T)	3.5 4WD (KB9T)	137	08/11 12/15
L 200 / TRITON (KA_T, KB_T)	3.5 Flex 4WD (KB9T)	147	09/09 12/15
L 200 / TRITON (KA_T, KB_T)	3.5 Flexfuel 4WD (KB9T)	151	08/09 12/13
L 200 / TRITON (KJ_, KK_, KL_)	2.4 (KK4T)	94	11/14 -
L 200 / TRITON (KJ_, KK_, KL_)	2.4 4WD	97	11/14 -
L 200 / TRITON (KJ_, KK_, KL_)	2.4 DI-D	133	01/15 -
L 200 / TRITON (KJ_, KK_, KL_)	2.4 DI-D (KJ0T)	113	09/15 -
L 200 / TRITON (KJ_, KK_, KL_)	2.4 DI-D 4WD	133	11/14 -

L 200 / TRITON (KJ_, KK_, KL_)	2.4 DI-D 4WD (KJ0T)	113	09/15 -
L 200 / TRITON (KJ_, KK_, KL_)	2.5 DI-D	100	01/15 -
L 200 / TRITON (KJ_, KK_, KL_)	2.5 DI-D	94	11/14 -
L 200 / TRITON (KJ_, KK_, KL_)	2.5 DI-D (KK3T)	131	11/14 -
L 200 / TRITON (KJ_, KK_, KL_)	2.5 DI-D 4WD	81	11/14 -
L 200 / TRITON (KJ_, KK_, KL_)	2.5 DI-D 4WD	100	11/14 -
L 200 / TRITON Platform/Chassis (KA_T, KB_T)	2.4 CNG (KA5T)	94	12/09 12/15
L 200 / TRITON Platform/Chassis (KA_T, KB_T)	2.4 LPG (KA5T)	94	09/09 12/15
L 200 / TRITON Platform/Chassis (KA_T, KB_T)	2.5 DI-D (KA4T)	94	08/07 12/15
L 200 / TRITON Platform/Chassis (KA_T, KB_T)	2.5 DI-D 4WD (KB4T)	131	09/09 12/15
L 200 / TRITON Platform/Chassis (KA_T, KB_T)	3.2 DI-D 4WD (KB8T)	118	07/06 08/09
L 200 / TRITON Platform/Chassis (KA_T, KB_T)	3.5 (KA9T)	135	09/06 11/09
L 200 / TRITON Platform/Chassis (KA_T, KB_T)	3.5 i 4WD (KB9T)	135	07/06 12/09
L 200 Platform/Chassis (MQ)	2.4 D	133	01/15 -
L 200 Platform/Chassis (MQ)	2.4 D 4WD	133	01/15 -
PAJERO SPORT II (KH_, KG_)	2.5 DI-D	131	07/08 12/15
PAJERO SPORT II (KH_, KG_)	2.5 DI-D 4WD (KH4W)	131	07/08 -
PAJERO SPORT II (KH_, KG_)	3.0 4WD	162	09/08 -
PAJERO SPORT II (KH_, KG_)	3.2 DI-D 4WD	118	07/08 -
PAJERO SPORT II (KH_, KG_)	3.5	137	01/10 -
PAJERO SPORT II (KH_, KG_)	3.5 V6 24V	153	09/08 -

Refs constructeur

Références constructeurs compatibles

FIAT	0006000609714
FIAT	0006000609715
FIAT	6000609714
FIAT	6000609715
MITSUBISHI	4605A198
MITSUBISHI	4605A284
MITSUBISHI	MZ690356