

Caractéristiques techniques des plaquettes

Essieu
Avant

WVA
22590, 22591, 22592

Largeur
132,7 mm

Épaisseur
17,9 mm

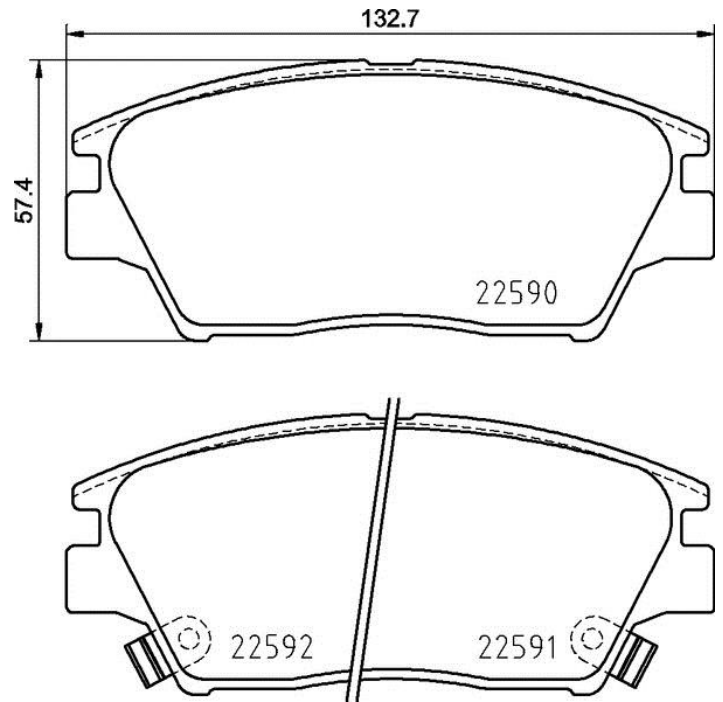
Hauteur
57,4 mm

Système de freinage

Accessoires

Témoin d'usure
Acoustique

Code EAN
8020584084779



Véhicules couverts

SSANGYONG

Modèle	Type	kW	Année
TIVOLI	1.6	93	04/15 -
TIVOLI	1.6	94	04/15 -
TIVOLI	1.6 All-wheel Drive	93	04/15 -
TIVOLI	1.6 All-wheel Drive	94	03/15 -
TIVOLI	1.6 GPL	94	04/15 -
TIVOLI	1.6 GPL All-wheel Drive	94	03/15 -
TIVOLI	1.6 XDi 160	85	04/15 -
TIVOLI	1.6 XDi 160 All-wheel Drive	85	04/15 -
XLV Closed Off-Road Vehicle	1.6 GPL	94	05/16 -
XLV Closed Off-Road Vehicle	1.6 GPL All-wheel Drive	94	05/16 -
XLV Closed Off-Road Vehicle	e-XDi 160	85	04/16 -
XLV Closed Off-Road Vehicle	e-XDi 160 All-wheel Drive	85	04/16 -
XLV Closed Off-Road Vehicle	e-XGi 160	93	05/16 -
XLV Closed Off-Road Vehicle	e-XGi 160	94	04/16 -
XLV Closed Off-Road Vehicle	e-XGi 160 All-wheel Drive	93	05/16 -
XLV Closed Off-Road Vehicle	e-XGi 160 All-wheel Drive	94	04/16 -

Refs constructeur

Références constructeurs compatibles

SSANGYONG

48130350B0
