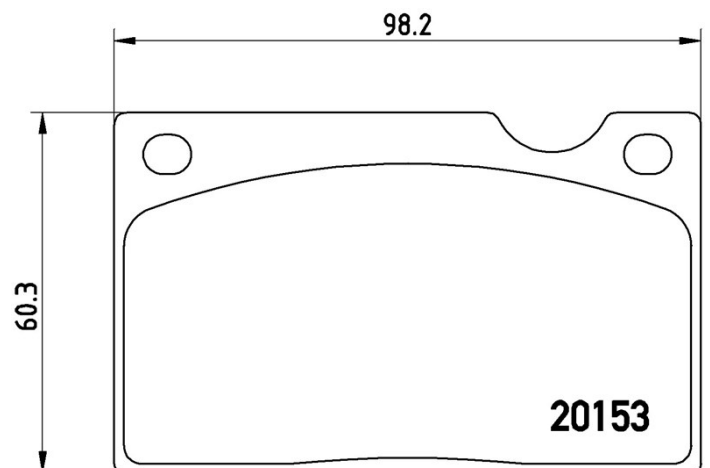
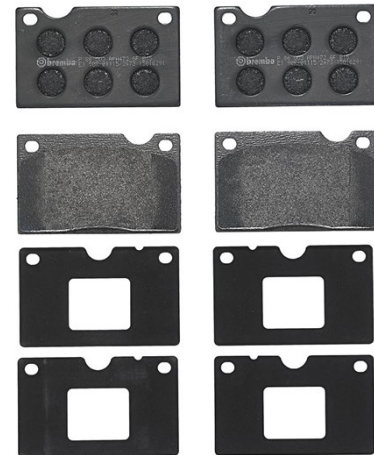


Caractéristiques techniques des plaquettes

Essieu Avant	WVA 20153
Largeur 98,2 mm	Épaisseur 16 mm
Hauteur 60,3 mm	Système de freinage Lucas
Accessoires	Témoin d'usure Sans

Code EAN
8020584058916



Véhicules couverts

VOLVO				
Modèle	Type	kW	Année	
240 (P242, P244)	2.0	60	08/74 07/76	
240 (P242, P244)	2.0	66	08/76 07/79	
240 (P242, P244)	2.0	76	08/84 07/85	
240 (P242, P244)	2.0	71	09/78 08/83	
240 (P242, P244)	2.0	89	09/84 12/93	
240 (P242, P244)	2.0	82	09/88 12/93	
240 (P242, P244)	2.0	100	10/82 08/84	
240 (P242, P244)	2.1	71	08/74 07/75	
240 (P242, P244)	2.1	90	08/74 09/83	
240 (P242, P244)	2.1	74	08/75 08/84	
240 (P242, P244)	2.1	79	08/80 07/84	

240 (P242, P244)	2.1 Turbo	114	08/80 07/84
240 (P242, P244)	2.3	103	08/78 07/80
240 (P242, P244)	2.3	100	08/80 07/83
240 (P242, P244)	2.3	82	08/80 07/84
240 (P242, P244)	2.3	96	08/83 07/85
240 (P242, P244)	2.3	81	08/84 07/86
240 (P242, P244)	2.3	98	08/84 12/89
240 (P242, P244)	2.3	83	08/86 07/87
240 (P242, P244)	2.3	85	08/86 12/88
240 (P242, P244)	2.3 i Cat	85	08/86 07/93
240 (P242, P244)	2.4 Diesel	60	08/78 07/85
240 (P242, P244)	2.4 Diesel	58	08/87 08/93
240 (P242, P244)	2.7 GLT6	104	08/79 07/80
240 (P242, P244)	2.8	114	10/82 09/84
240 Kombi (P245)	2.0	60	08/74 07/75
240 Kombi (P245)	2.0	66	08/76 01/82
240 Kombi (P245)	2.0	71	08/80 12/84
240 Kombi (P245)	2.0	86	08/83 07/93
240 Kombi (P245)	2.0	76	08/84 07/85
240 Kombi (P245)	2.0	82	09/88 12/93
240 Kombi (P245)	2.0	100	10/82 08/84
240 Kombi (P245)	2.0 D	50	09/78 10/80
240 Kombi (P245)	2.1	86	01/77 08/78
240 Kombi (P245)	2.1	71	08/74 07/75
240 Kombi (P245)	2.1	90	08/74 09/83
240 Kombi (P245)	2.1	74	08/75 07/80
240 Kombi (P245)	2.1	79	08/80 07/84
240 Kombi (P245)	2.1	80	08/80 07/84
240 Kombi (P245)	2.1 Turbo	114	08/80 07/85
240 Kombi (P245)	2.3	82	08/80 07/84
240 Kombi (P245)	2.3	100	08/80 12/84
240 Kombi (P245)	2.3	96	08/84 07/85
240 Kombi (P245)	2.3	81	08/84 07/86
240 Kombi (P245)	2.3	98	08/84 12/88

240 Kombi (P245)	2.3	83	08/86 07/87
240 Kombi (P245)	2.3	85	08/86 12/88
240 Kombi (P245)	2.3 Cat	100	08/91 07/92
240 Kombi (P245)	2.3 i Cat	85	08/86 07/93
240 Kombi (P245)	2.4 Diesel	60	04/79 08/93
240 Kombi (P245)	2.4 Diesel	58	08/88 08/93
240 Kombi (P245)	2.7 GLT6	104	08/79 07/80
240 Kombi (P245)	2.8	114	10/80 09/82
240 Kombi (P245)	2.8	95	10/81 09/82
260 (P262, P264)	2.7	103	08/74 07/80
260 (P262, P264)	2.7	92	08/76 07/82
260 (P262, P264)	2.7	109	08/78 07/82
260 (P262, P264)	2.8	95	08/80 07/82
260 (P262, P264)	2.8	114	08/80 07/82
260 Coupe (P262)	2.7	103	08/77 07/78
260 Estate (P265)	2.7	103	07/75 07/82
260 Estate (P265)	2.7	92	08/75 07/77
260 Estate (P265)	2.7	109	10/78 07/82
260 Estate (P265)	2.8	114	08/80 07/82

Refs constructeur

Références constructeurs compatibles

VOLVO	270163
VOLVO	2701639
VOLVO	271666
VOLVO	271739
VOLVO	2717395
VOLVO	272566
VOLVO	272673
VOLVO	2726735
VOLVO	272779
VOLVO	272867
VOLVO	272873
VOLVO	2758944

