



# BRAKE DISC PAINTED

## 08.6935.11

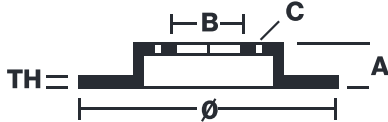
The 08.6935.11 painted brake disc is synonymous with reliability

The Brembo brake disc with special UV paint treatment guarantees superior corrosion resistance for the product, thanks to the protective coating on the outer edges and on the disc hub. The UV paint not only gives the disc a clean, shiny appearance but is also beneficial for the environment as the water-based UV paint treatment does not require the use of chemical solvents and is a low energy consumption process.

- ✓ OE-equivalent
- ✓ Brembo quality
- ✓ ECE-R90 certificate
- ✓ Safety
- ✓ Anti-corrosion

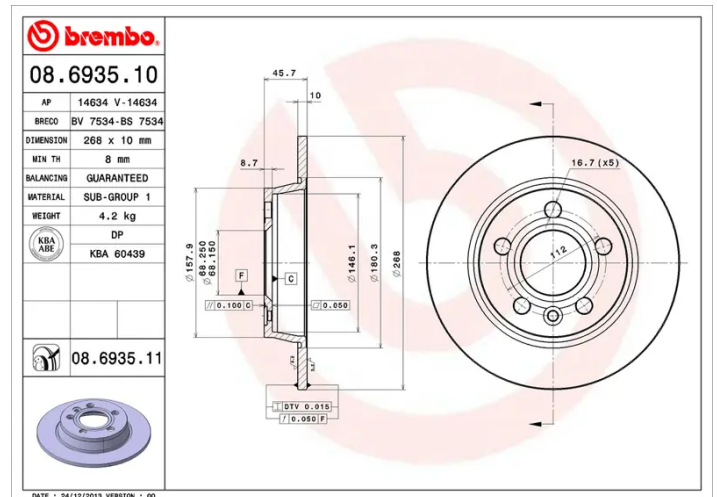


### Technical specifications



EAN code	Axle	Diameter $\varnothing$
<b>8020584027202</b>	<b>Rear</b>	<b>268 mm</b>
Thickness (TH)	Height (A)	Number of holes (C)
<b>10 mm</b>	<b>46 mm</b>	<b>5</b>
Brake disc type	Centering (B)	Min. thickness
<b>Solid</b>	<b>68 mm</b>	<b>8 mm</b>

Tightening torque  
**170 Nm**



**COMPATIBLE VEHICLES**

## COMPATIBLE OE PART NUMBERS

1001094	FORD
---------	------

1023605	FORD
---------	------

1044570	FORD
---------	------

1045995	FORD
---------	------

1137985	FORD
---------	------

1137986	FORD
---------	------

1526694	FORD
---------	------

95VWX2A315A1D	FORD
---------------	------

95VWX2A315AD	FORD
--------------	------

95VWX2A315AE	FORD
--------------	------

7M0615601A	SEAT
------------	------

7M0615601B	SEAT
------------	------

7M0615601C	SEAT
------------	------

7M0615601A	VW
------------	----

7M0615601B	VW
------------	----

7M0615601C	VW
------------	----