



BRAKE DISC

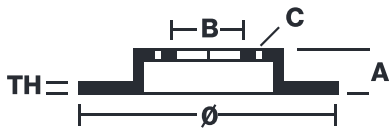
09.7418.10

The **09.7418.10** brake disc is synonymous with reliability

The Brembo brake disc is fully interchangeable with an Original Equipment brake disc. The control of the entire production cycle allows Brembo to offer brake discs with outstanding performance levels, reliability, durability and comfort in all conditions of use. All Brembo brake discs are accompanied by the ECE-R90 homologation.

- ✓ OE-equivalent
- ✓ Brembo quality
- ✓ ECE-R90 certificate
- ✓ Safety

Technical specifications



EAN code
8020584230114

Axle
Front

Diameter Ø
260 mm

Thickness (TH)
23 mm

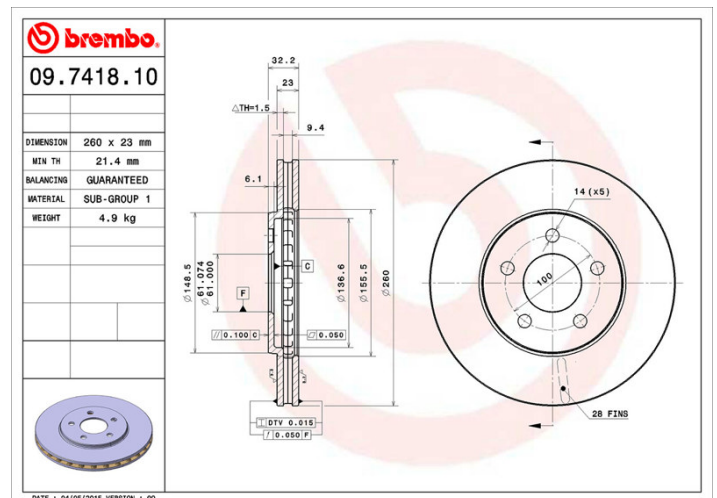
Height (A)
32 mm

Number of holes (C)
5

Brake disc type
Ventilated

Centering (B)
61 mm

Min. thickness
21,4 mm



COMPATIBLE VEHICLES

COMPATIBLE OE PART NUMBERS

4509640 CHRYSLER

4616935 CHRYSLER

4752284 CHRYSLER

4879227AA CHRYSLER

4879229AA CHRYSLER

4879229AB CHRYSLER

4616935 DODGE

4879229AB DODGE

4616935 PLYMOUTH

4879229AB PLYMOUTH
