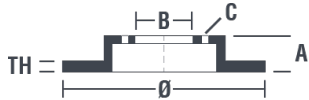


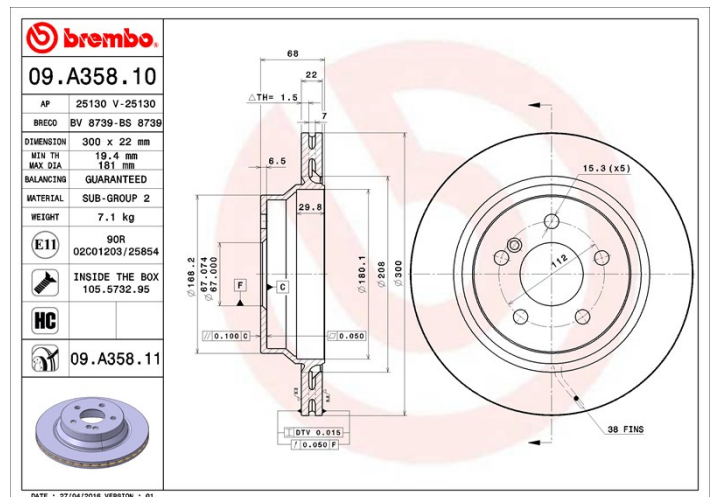
Féktárca műszaki adatai

Tengely Hátsó	Átmérő 300 mm
Teljes magasság (A) 68 mm	Centrírozási átmérő (B) 67 mm
Furatok száma (C) 5	Vastagság (TH) 22 mm
Min. vastagság 19,4 mm	Szorítónyomaték
Egység dobozonként 2	EAN kód 8020584018088



Márkakódok

Brembo 09.A358.10	AP 25130	Breco BS 8739
-----------------------------	--------------------	-------------------------



Műszaki specifikációk

High Carbon (HC) tárcsa

Az öntöttvas magas széntartalmának köszönhetően, a HC féktárca magas rezgéscillapítási együtthatóval rendelkezik, ami vezetés során képes csökkenteni a rezgéseket és a zajosságot.

HC

Tárcsa rögzítőcsavarral

Azzal, hogy a rögzítőcsavart a Brembo összehajtogatja a féktárcsával, plusz könnyebbséget nyújt a szerelő számára arra az esetre, ha az eredeti csavart berozsdásodott vagy annyira elkopott volna, hogy azt nem vagy csak nehezen lehet újra felhasználni.



Kompatibilis járművek

MERCEDES-BENZ

Modell	Típus	Kw	Év
CLS (C218)	CLS 260 (218.336)	155	01/15 -
CLS (C218)	CLS 300 (218.355)	185	10/11 -
CLS (C218)	CLS 320 (218.362)	200	01/15 -
CLS (C218)	CLS 350 (218.359)	225	01/11 -
CLS (C218)	CLS 350 BlueTEC / d (218.326)	185	11/12 -

CLS (C218)	CLS 350 BlueTEC / d (218.326)	190	06/14 -
CLS (C218)	CLS 350 BlueTEC / d 4-matic (218.394)	185	11/12 -
CLS (C218)	CLS 350 CDI / d (218.323)	195	01/11 -
CLS (C218)	CLS 350 CDI / d 4-matic (218.393)	195	09/11 -
CLS (C218)	CLS 350 d 4-matic (218.394)	190	04/15 -
CLS (C218)	CLS 400 (218.361)	245	07/14 -
CLS (C218)	CLS 400 (218.365)	245	05/14 -
CLS (C218)	CLS 400 4-matic (218.367)	245	05/14 -
CLS (C218)	CLS 400 4-matic (218.368)	245	07/14 -
CLS (C219)	CLS 280 (219.354)	170	07/08 12/10
CLS (C219)	CLS 300 (219.354)	170	04/09 12/10
CLS (C219)	CLS 320 CDI	155	01/05 12/10
CLS (C219)	CLS 320 CDI (219.322)	165	01/05 12/10
CLS (C219)	CLS 350 (219.356)	200	10/04 12/10
CLS (C219)	CLS 350 (219.357)	215	04/06 12/10
CLS (C219)	CLS 350 CDI	200	04/09 12/10
CLS (C219)	CLS 350 CDI (219.322)	165	04/09 12/10
CLS (C219)	CLS 500 (219.375)	225	10/04 12/10
CLS Shooting Brake (X218)	CLS 350 (218.959)	225	10/12 -
CLS Shooting Brake (X218)	CLS 350 BlueTEC / d (218.926)	190	05/14 -
CLS Shooting Brake (X218)	CLS 350 BlueTEC / d 4-matic (218.994)	185	05/14 -
CLS Shooting Brake (X218)	CLS 350 CDI / d (218.923)	195	10/12 -
CLS Shooting Brake (X218)	CLS 350 CDI / d 4-matic (218.993)	195	10/12 -
CLS Shooting Brake (X218)	CLS 350 d 4-matic (218.994)	190	04/15 -
CLS Shooting Brake (X218)	CLS 400 (218.961)	245	07/14 -
CLS Shooting Brake (X218)	CLS 400 (218.965)	245	05/14 -
CLS Shooting Brake (X218)	CLS 400 4-matic (218.967)	245	05/14 -
CLS Shooting Brake (X218)	CLS 400 4-matic (218.968)	245	07/14 -
E-CLASS (W211)	E 200 CDI (211.004)	75	07/02 12/08
E-CLASS (W211)	E 200 CDI (211.004)	90	07/02 12/08
E-CLASS (W211)	E 200 CDI (211.007)	100	04/06 12/08

E-CLASS (M211)	E 200 Kompressor (211.041)	135	04/06 12/08
E-CLASS (M211)	E 200 Kompressor (211.042)	120	11/02 12/08
E-CLASS (M211)	E 200 NGT (211.042)	120	03/04 12/08
E-CLASS (M211)	E 220 CDI	120	03/03 12/08
E-CLASS (M211)	E 220 CDI (211.006)	100	03/02 12/08
E-CLASS (M211)	E 220 CDI (211.006)	110	03/02 12/08
E-CLASS (M211)	E 220 CDI (211.008)	125	04/06 12/08
E-CLASS (M211)	E 230 (211.052)	150	09/07 12/08
E-CLASS (M211)	E 240 (211.061)	130	03/02 12/08
E-CLASS (M211)	E 240 4-matic (211.080)	130	03/03 12/08
E-CLASS (M211)	E 270 CDI (211.016)	120	03/02 12/08
E-CLASS (M211)	E 270 CDI (211.016)	130	03/02 12/08
E-CLASS (M211)	E 280 (211.054)	170	03/05 12/08
E-CLASS (M211)	E 280 4-matic (211.092)	170	01/06 12/08
E-CLASS (M211)	E 280 CDI (211.020)	140	03/05 12/08
E-CLASS (M211)	E 280 CDI (211.023)	130	05/04 12/08
E-CLASS (M211)	E 280 CDI 4-matic (211.084)	140	03/05 12/08
E-CLASS (M211)	E 300 BlueTEC (211.024)	155	09/07 12/08
E-CLASS (M211)	E 320 (211.065)	165	03/02 12/08
E-CLASS (M211)	E 320 4-matic (211.082)	165	03/03 12/08
E-CLASS (M211)	E 320 CDI (211.022)	165	03/05 12/08
E-CLASS (M211)	E 320 CDI (211.026)	150	11/02 12/08
E-CLASS (M211)	E 320 CDI 4-matic (211.089)	165	03/05 12/08
E-CLASS (M211)	E 350 (211.056)	200	03/05 12/08
E-CLASS (M211)	E 350 4-matic (211.087)	200	03/05 12/08
E-CLASS (M211)	E 350 CGI (211.057)	215	09/07 12/08
E-CLASS (M211)	E 400 CDI (211.028)	191	02/03 12/08
E-CLASS (M211)	E 500 (211.070)	225	03/02 12/08
E-CLASS (M211)	E 500 (211.072)	285	04/06 12/08
E-CLASS (M211)	E 500 4-matic (211.083)	225	10/03 12/08
E-CLASS (M211)	E 500 4-matic (211.090)	285	04/06 12/08

E-CLASS (M212)	E 200 (212.034)	135	01/13 -
E-CLASS (M212)	E 200 CGI (212.048, 212.148)	135	08/09 -
E-CLASS (M212)	E 200 NGT (212.035)	115	07/13 -
E-CLASS (M212)	E 200 NGT (212.041)	120	03/11 -
E-CLASS (M212)	E 220 BlueTEC (212.001)	130	05/14 -
E-CLASS (M212)	E 250 (212.036)	155	01/13 -
E-CLASS (M212)	E 250 CDI / BlueTEC (212.003, 212.004)	150	01/09 -
E-CLASS (M212)	E 250 CDI / BlueTEC 4-matic (212.082, 212.097)	150	01/09 -
E-CLASS (M212)	E 300 (212.054)	170	01/09 -
E-CLASS (M212)	E 300 (212.055)	185	07/11 -
E-CLASS (M212)	E 300 4-matic (212.080)	185	07/11 -
E-CLASS (M212)	E 300 CDI (212.020)	150	12/09 12/10
E-CLASS (M212)	E 300 CDI / BlueTEC (212.020, 212.021, 212.027)	170	03/11 -
E-CLASS (M212)	E 300 Hybrid / BlueTEC Hybrid (212.098)	150	12/11 -
E-CLASS (M212)	E 350 (212.056)	200	01/09 -
E-CLASS (M212)	E 350 (212.059)	225	09/11 -
E-CLASS (M212)	E 350 4-matic (212.087)	200	01/09 08/11
E-CLASS (M212)	E 350 4-matic (212.088)	225	09/11 -
E-CLASS (M212)	E 350 BlueTEC	185	11/12 -
E-CLASS (M212)	E 350 BlueTEC (212.024)	155	01/09 -
E-CLASS (M212)	E 350 BlueTEC (212.026)	190	05/14 -
E-CLASS (M212)	E 350 BlueTEC 4-matic (212.094)	190	05/14 -
E-CLASS (M212)	E 350 BlueTEC 4-matic (212.094)	185	11/12 -
E-CLASS (M212)	E 350 CDI (212.023)	195	03/11 -
E-CLASS (M212)	E 350 CDI (212.025)	170	01/09 -
E-CLASS (M212)	E 350 CDI 4-matic (212.089)	170	09/09 -
E-CLASS (M212)	E 350 CDI 4-matic (212.093)	195	03/11 -
E-CLASS (M212)	E 350 CGI (212.057)	215	01/09 08/11
E-CLASS (M212)	E 400 (212.061)	245	07/14 -
E-CLASS (M212)	E 400 (212.065)	245	01/13 -

E-CLASS (W212)	E 400 4-matic (212.067)	245	01/13 -
E-CLASS (W212)	E 400 4-matic (212.099)	245	07/14 -
E-CLASS T-Model (S211)	350 CGI (211.257)	215	05/06 07/09
E-CLASS T-Model (S211)	E 200 CDI (211.207)	100	04/06 07/09
E-CLASS T-Model (S211)	E 200 Kompressor (211.241)	135	04/06 07/09
E-CLASS T-Model (S211)	E 200 T Kompressor (211.242)	120	03/03 07/09
E-CLASS T-Model (S211)	E 220 CDI (211.206)	100	03/03 07/09
E-CLASS T-Model (S211)	E 220 T CDI	120	03/03 07/09
E-CLASS T-Model (S211)	E 220 T CDI (211.206)	110	03/03 07/09
E-CLASS T-Model (S211)	E 220 T CDI (211.208)	125	04/06 07/09
E-CLASS T-Model (S211)	E 230 T (211.252)	150	05/07 07/09
E-CLASS T-Model (S211)	E 240 T (211.261)	130	03/03 07/09
E-CLASS T-Model (S211)	E 240 T 4-matic (211.280)	130	07/03 07/09
E-CLASS T-Model (S211)	E 270 T CDI (211.216)	120	03/03 07/09
E-CLASS T-Model (S211)	E 270 T CDI (211.216)	130	03/03 07/09
E-CLASS T-Model (S211)	E 280 T (211.254)	170	03/05 07/09
E-CLASS T-Model (S211)	E 280 T 4-matic (211.292)	170	03/05 07/09
E-CLASS T-Model (S211)	E 280 T CDI (211.220)	140	03/05 07/09
E-CLASS T-Model (S211)	E 280 T CDI (211.223)	130	05/04 07/09
E-CLASS T-Model (S211)	E 280 T CDI 4-matic (211.284)	140	03/05 07/09
E-CLASS T-Model (S211)	E 320 T (211.265)	165	03/03 07/09
E-CLASS T-Model (S211)	E 320 T 4-matic (211.282)	165	07/03 07/09
E-CLASS T-Model (S211)	E 320 T CDI (211.222)	165	03/05 07/09
E-CLASS T-Model (S211)	E 320 T CDI (211.226)	150	03/03 07/09
E-CLASS T-Model (S211)	E 320 T CDI 4-matic (211.289)	165	03/05 07/09
E-CLASS T-Model (S211)	E 350 T (211.256)	200	03/05 07/09
E-CLASS T-Model (S211)	E 350 T 4-matic (211.287)	200	03/05 07/09
E-CLASS T-Model (S211)	E 500 T (211.270)	225	10/03 07/09
E-CLASS T-Model (S211)	E 500 T (211.272)	285	04/06 07/09
E-CLASS T-Model (S211)	E 500 T 4-matic (211.283)	225	10/03 07/09
E-CLASS T-Model (S211)	E 500 T 4-matic (211.290)	285	04/06 07/09

E-CLASS T-Model (S212)	E 300 (212.254)	170	11/09 -
E-CLASS T-Model (S212)	E 300 (212.255)	185	07/11 -
E-CLASS T-Model (S212)	E 300 4-matic (212.280)	185	07/11 -
E-CLASS T-Model (S212)	E 300 CDI (212.220)	150	12/09 12/10
E-CLASS T-Model (S212)	E 300 CDI / BlueTEC (212.227, 212.221)	170	11/09 -
E-CLASS T-Model (S212)	E 300 Hybrid / BlueTEC Hybrid (212.298)	150	12/11 -
E-CLASS T-Model (S212)	E 350 (212.256)	200	08/09 -
E-CLASS T-Model (S212)	E 350 (212.259)	225	09/11 -
E-CLASS T-Model (S212)	E 350 4-matic (212.287)	200	11/09 -
E-CLASS T-Model (S212)	E 350 4-matic (212.288, 212.287)	225	09/11 -
E-CLASS T-Model (S212)	E 350 BlueTEC	185	11/12 -
E-CLASS T-Model (S212)	E 350 BlueTEC (212.224)	155	11/09 -
E-CLASS T-Model (S212)	E 350 BlueTEC (212.226)	190	07/14 -
E-CLASS T-Model (S212)	E 350 BlueTEC 4-matic	185	11/12 -
E-CLASS T-Model (S212)	E 350 BlueTEC 4-matic (212.294)	190	07/14 -
E-CLASS T-Model (S212)	E 350 CDI (212.223)	195	07/11 -
E-CLASS T-Model (S212)	E 350 CDI (212.225)	170	11/09 -
E-CLASS T-Model (S212)	E 350 CDI 4-matic (212.289)	170	11/09 -
E-CLASS T-Model (S212)	E 350 CDI 4-matic (212.293)	195	07/11 -
E-CLASS T-Model (S212)	E 350 CGI (212.257)	215	11/09 -
E-CLASS T-Model (S212)	E 400	245	01/13 -
E-CLASS T-Model (S212)	E 400 (212.261)	245	07/14 -
E-CLASS T-Model (S212)	E 400 4-matic	245	01/13 -
E-CLASS T-Model (S212)	E 400 4-matic (212.299)	245	07/14 -
GLK-CLASS (X204)	200 (204.934)	135	08/13 06/15
GLK-CLASS (X204)	200 CDI (204.901)	105	07/10 06/15
GLK-CLASS (X204)	200 CDI (204.901)	100	12/13 06/15
GLK-CLASS (X204)	220 CDI (204.902)	120	12/08 06/15
GLK-CLASS (X204)	220 CDI (204.902)	125	12/08 06/15
GLK-CLASS (X204)	220 CDI 4-matic (204.984)	120	12/08 06/15
GLK-CLASS (X204)	220 CDI 4-matic (204.984, 204.997)	125	12/08 06/15

GLK-CLASS (X204)	250 (204.936)	155	08/13 06/15
GLK-CLASS (X204)	250 4-matic (204.937)	155	08/13 06/15
GLK-CLASS (X204)	250 CDI 4-matic (204.982, 204.904)	150	09/09 06/15
GLK-CLASS (X204)	280 4-matic (204.981)	170	06/08 06/09
GLK-CLASS (X204)	300 4-matic	185	09/09 06/15
GLK-CLASS (X204)	300 4-matic (204.981)	170	07/09 12/15
GLK-CLASS (X204)	320 CDI 4-matic (204.983)	165	06/08 06/15
GLK-CLASS (X204)	350 (204.956)	200	04/09 06/15
GLK-CLASS (X204)	350 4-matic (204.987)	200	06/08 04/11
GLK-CLASS (X204)	350 4-matic (204.988)	225	06/08 06/15
GLK-CLASS (X204)	350 CDI 4-matic (204.992)	170	02/10 06/15
GLK-CLASS (X204)	350 CDI 4-matic (204.992)	165	07/09 01/10
GLK-CLASS (X204)	350 CDI 4-matic (204.993)	195	07/12 06/15
GLK-CLASS (X204)	350 CGI	225	09/12 06/15

MERCEDES-BENZ (BBDC)

Modell	Típus	Kw	Év
E-CLASS (W211)	1.8 E 200 Kompressor (211.041)	135	09/06 12/12
E-CLASS (W211)	1.8 E 200 Kompressor (211.042)	120	11/05 12/06
E-CLASS (W211)	2.5 E 230 (211.052)	150	11/05 12/09
E-CLASS (W211)	3.0 E 280 (211.054)	170	11/05 12/09
E-CLASS (W211)	3.5 E 350 (211.056)	200	11/05 12/09
E-CLASS (W212)	E 180 L (212.133)	125	11/14 -
E-CLASS (W212)	E 200 L (212.134)	135	06/14 -
E-CLASS (W212)	E 260 L (212.136)	155	06/14 -
E-CLASS (W212)	E 260 L CGI (212.147)	150	06/10 12/14
E-CLASS (W212)	E 300 L (212.154)	180	12/10 12/14
E-CLASS (W212)	E 320 L (212.162)	200	06/14 -
E-CLASS (W212)	E 320 L 4-matic (212.168)	200	06/14 -
E-CLASS (W212)	E 400 L (212.165)	245	08/13 12/14
E-CLASS (W212)	E 400 L 4-matic (212.167)	245	06/14 -
E-CLASS (W212)	E 400 L HYBRID (212.195)	225	06/14 -
GLK Closed Off-Road Vehicle (X204)	200 (204.934)	135	06/14 12/15

GLK Closed Off-Road Vehicle (X204)	260 4-matic (204.937)	155	08/13 12/15
GLK Closed Off-Road Vehicle (X204)	300 4-matic (204.981)	180	04/12 12/15

OE kódok

Kompatibilis OE kódok

MERCEDES-BENZ	0004230912
MERCEDES-BENZ	2114230912
MERCEDES-BENZ	A0004230912
MERCEDES-BENZ	A2114230912