

Féktárcsa műszaki adatai

Tengely Hátsó

Átmérő
300 mm

Teljes magasság (A)
68 mm

Centrírozási átmérő (B)
67 mm

Furatok száma (C)
5

Vastagság (TH)
22 mm

Min. vastagság
19,4 mm

Szorítónyomaték
130 Nm

Egység dobozonként
2

EAN kód
8020584034743

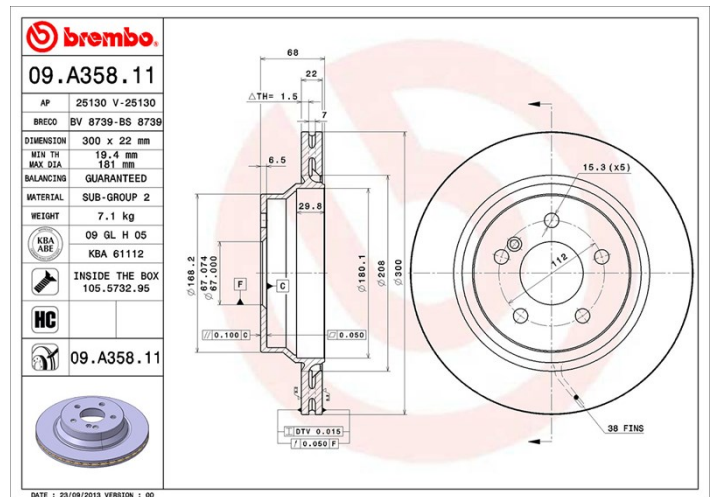


Márkakódok

Brembo
09.A358.11

AP
25130 V

Breco
BV 8739



Műszaki specifikációk

High Carbon (HC) tárcsa

Az öntöttvas magas széntartalmának köszönhetően, a HC féktárcsa magas rezgéscillapítási együtthatóval rendelkezik, ami vezetés során képes csökkenteni a rezgéseket és a zajosságot.

HC

Tárcsa rögzítőcsavarral

Azzal, hogy a rögzítőcsavart a Brembo összejecsomagolja a féktárcsával, plusz könnyebbséget nyújt a szerelő számára arra az esetre, ha az eredeti csavar berozsdásodott vagy annyira elkopott volna, hogy azt nem vagy csak nehezen lehet újra felhasználni.



UV tárcsa

Az UV festési eljárás nagyfokú ellenállást biztosít a korrózióval szemben, valamint garantálja a tárcsa teljes védelmét.



Kompatibilis járművek

MERCEDES-BENZ

Modell	Típus	Kw	Év
CLS (C218)	CLS 260 (218.336)	155	01/15 -
CLS (C218)	CLS 300 (218.355)	185	10/11 -
CLS (C218)	CLS 320 (218.362)	200	01/15 -

CLS (C218)	CLS 350 (218.359)	225	01/11 -
CLS (C218)	CLS 350 BlueTEC / d (218.326)	185	11/12 -
CLS (C218)	CLS 350 BlueTEC / d (218.326)	190	06/14 -
CLS (C218)	CLS 350 BlueTEC / d 4-matic (218.394)	185	11/12 -
CLS (C218)	CLS 350 CDI / d (218.323)	195	01/11 -
CLS (C218)	CLS 350 CDI / d 4-matic (218.393)	195	09/11 -
CLS (C218)	CLS 350 d 4-matic (218.394)	190	04/15 -
CLS (C218)	CLS 400 (218.361)	245	07/14 -
CLS (C218)	CLS 400 (218.365)	245	05/14 -
CLS (C218)	CLS 400 4-matic (218.367)	245	05/14 -
CLS (C218)	CLS 400 4-matic (218.368)	245	07/14 -
CLS (C219)	CLS 280 (219.354)	170	07/08 12/10
CLS (C219)	CLS 300 (219.354)	170	04/09 12/10
CLS (C219)	CLS 320 CDI	155	01/05 12/10
CLS (C219)	CLS 320 CDI (219.322)	165	01/05 12/10
CLS (C219)	CLS 350 (219.356)	200	10/04 12/10
CLS (C219)	CLS 350 (219.357)	215	04/06 12/10
CLS (C219)	CLS 350 CDI	200	04/09 12/10
CLS (C219)	CLS 350 CDI (219.322)	165	04/09 12/10
CLS (C219)	CLS 500 (219.375)	225	10/04 12/10
CLS Shooting Brake (X218)	CLS 350 (218.959)	225	10/12 -
CLS Shooting Brake (X218)	CLS 350 BlueTEC / d (218.926)	190	05/14 -
CLS Shooting Brake (X218)	CLS 350 BlueTEC / d 4-matic (218.994)	185	05/14 -
CLS Shooting Brake (X218)	CLS 350 CDI / d (218.923)	195	10/12 -
CLS Shooting Brake (X218)	CLS 350 CDI / d 4-matic (218.993)	195	10/12 -
CLS Shooting Brake (X218)	CLS 350 d 4-matic (218.994)	190	04/15 -
CLS Shooting Brake (X218)	CLS 400 (218.961)	245	07/14 -
CLS Shooting Brake (X218)	CLS 400 (218.965)	245	05/14 -
CLS Shooting Brake (X218)	CLS 400 4-matic (218.967)	245	05/14 -
CLS Shooting Brake (X218)	CLS 400 4-matic (218.968)	245	07/14 -
E-CLASS (W211)	E 200 CDI (211.004)	75	07/02 12/08

E-CLASS (M211)	E 200 CDI (211.004)	90	07/02 12/08
E-CLASS (M211)	E 200 CDI (211.007)	100	04/06 12/08
E-CLASS (M211)	E 200 Kompressor (211.041)	135	04/06 12/08
E-CLASS (M211)	E 200 Kompressor (211.042)	120	11/02 12/08
E-CLASS (M211)	E 200 NGT (211.042)	120	03/04 12/08
E-CLASS (M211)	E 220 CDI	120	03/03 12/08
E-CLASS (M211)	E 220 CDI (211.006)	100	03/02 12/08
E-CLASS (M211)	E 220 CDI (211.006)	110	03/02 12/08
E-CLASS (M211)	E 220 CDI (211.008)	125	04/06 12/08
E-CLASS (M211)	E 230 (211.052)	150	09/07 12/08
E-CLASS (M211)	E 240 (211.061)	130	03/02 12/08
E-CLASS (M211)	E 240 4-matic (211.080)	130	03/03 12/08
E-CLASS (M211)	E 270 CDI (211.016)	120	03/02 12/08
E-CLASS (M211)	E 270 CDI (211.016)	130	03/02 12/08
E-CLASS (M211)	E 280 (211.054)	170	03/05 12/08
E-CLASS (M211)	E 280 4-matic (211.092)	170	01/06 12/08
E-CLASS (M211)	E 280 CDI (211.020)	140	03/05 12/08
E-CLASS (M211)	E 280 CDI (211.023)	130	05/04 12/08
E-CLASS (M211)	E 280 CDI 4-matic (211.084)	140	03/05 12/08
E-CLASS (M211)	E 300 BlueTEC (211.024)	155	09/07 12/08
E-CLASS (M211)	E 320 (211.065)	165	03/02 12/08
E-CLASS (M211)	E 320 4-matic (211.082)	165	03/03 12/08
E-CLASS (M211)	E 320 CDI (211.022)	165	03/05 12/08
E-CLASS (M211)	E 320 CDI (211.026)	150	11/02 12/08
E-CLASS (M211)	E 320 CDI 4-matic (211.089)	165	03/05 12/08
E-CLASS (M211)	E 350 (211.056)	200	03/05 12/08
E-CLASS (M211)	E 350 4-matic (211.087)	200	03/05 12/08
E-CLASS (M211)	E 350 CGI (211.057)	215	09/07 12/08
E-CLASS (M211)	E 400 CDI (211.028)	191	02/03 12/08
E-CLASS (M211)	E 500 (211.070)	225	03/02 12/08
E-CLASS (M211)	E 500 (211.072)	285	04/06 12/08

E-CLASS (M211)	E 500 4-matic (211.083)	225	10/03 12/08
E-CLASS (M211)	E 500 4-matic (211.090)	285	04/06 12/08
E-CLASS (M212)	E 200 (212.034)	135	01/13 -
E-CLASS (M212)	E 200 CGI (212.048, 212.148)	135	08/09 -
E-CLASS (M212)	E 200 NGT (212.035)	115	07/13 -
E-CLASS (M212)	E 200 NGT (212.041)	120	03/11 -
E-CLASS (M212)	E 220 BlueTEC (212.001)	130	05/14 -
E-CLASS (M212)	E 250 (212.036)	155	01/13 -
E-CLASS (M212)	E 250 CDI / BlueTEC (212.003, 212.004)	150	01/09 -
E-CLASS (M212)	E 250 CDI / BlueTEC 4-matic (212.082, 212.097)	150	01/09 -
E-CLASS (M212)	E 300 (212.054)	170	01/09 -
E-CLASS (M212)	E 300 (212.055)	185	07/11 -
E-CLASS (M212)	E 300 4-matic (212.080)	185	07/11 -
E-CLASS (M212)	E 300 CDI (212.020)	150	12/09 12/10
E-CLASS (M212)	E 300 CDI / BlueTEC (212.020, 212.021, 212.027)	170	03/11 -
E-CLASS (M212)	E 300 Hybrid / BlueTEC Hybrid (212.098)	150	12/11 -
E-CLASS (M212)	E 350 (212.056)	200	01/09 -
E-CLASS (M212)	E 350 (212.059)	225	09/11 -
E-CLASS (M212)	E 350 4-matic (212.087)	200	01/09 08/11
E-CLASS (M212)	E 350 4-matic (212.088)	225	09/11 -
E-CLASS (M212)	E 350 BlueTEC	185	11/12 -
E-CLASS (M212)	E 350 BlueTEC (212.024)	155	01/09 -
E-CLASS (M212)	E 350 BlueTEC (212.026)	190	05/14 -
E-CLASS (M212)	E 350 BlueTEC 4-matic (212.094)	190	05/14 -
E-CLASS (M212)	E 350 BlueTEC 4-matic (212.094)	185	11/12 -
E-CLASS (M212)	E 350 CDI (212.023)	195	03/11 -
E-CLASS (M212)	E 350 CDI (212.025)	170	01/09 -
E-CLASS (M212)	E 350 CDI 4-matic (212.089)	170	09/09 -
E-CLASS (M212)	E 350 CDI 4-matic (212.093)	195	03/11 -
E-CLASS (M212)	E 350 CGI (212.057)	215	01/09 08/11

E-CLASS (W212)	E 400 (212.061)	245	07/14 -
E-CLASS (W212)	E 400 (212.065)	245	01/13 -
E-CLASS (W212)	E 400 4-matic (212.067)	245	01/13 -
E-CLASS (W212)	E 400 4-matic (212.099)	245	07/14 -
E-CLASS T-Model (S211)	350 CGI (211.257)	215	05/06 07/09
E-CLASS T-Model (S211)	E 200 CDI (211.207)	100	04/06 07/09
E-CLASS T-Model (S211)	E 200 Kompressor (211.241)	135	04/06 07/09
E-CLASS T-Model (S211)	E 200 T Kompressor (211.242)	120	03/03 07/09
E-CLASS T-Model (S211)	E 220 CDI (211.206)	100	03/03 07/09
E-CLASS T-Model (S211)	E 220 T CDI	120	03/03 07/09
E-CLASS T-Model (S211)	E 220 T CDI (211.206)	110	03/03 07/09
E-CLASS T-Model (S211)	E 220 T CDI (211.208)	125	04/06 07/09
E-CLASS T-Model (S211)	E 230 T (211.252)	150	05/07 07/09
E-CLASS T-Model (S211)	E 240 T (211.261)	130	03/03 07/09
E-CLASS T-Model (S211)	E 240 T 4-matic (211.280)	130	07/03 07/09
E-CLASS T-Model (S211)	E 270 T CDI (211.216)	120	03/03 07/09
E-CLASS T-Model (S211)	E 270 T CDI (211.216)	130	03/03 07/09
E-CLASS T-Model (S211)	E 280 T (211.254)	170	03/05 07/09
E-CLASS T-Model (S211)	E 280 T 4-matic (211.292)	170	03/05 07/09
E-CLASS T-Model (S211)	E 280 T CDI (211.220)	140	03/05 07/09
E-CLASS T-Model (S211)	E 280 T CDI (211.223)	130	05/04 07/09
E-CLASS T-Model (S211)	E 280 T CDI 4-matic (211.284)	140	03/05 07/09
E-CLASS T-Model (S211)	E 320 T (211.265)	165	03/03 07/09
E-CLASS T-Model (S211)	E 320 T 4-matic (211.282)	165	07/03 07/09
E-CLASS T-Model (S211)	E 320 T CDI (211.222)	165	03/05 07/09
E-CLASS T-Model (S211)	E 320 T CDI (211.226)	150	03/03 07/09
E-CLASS T-Model (S211)	E 320 T CDI 4-matic (211.289)	165	03/05 07/09
E-CLASS T-Model (S211)	E 350 T (211.256)	200	03/05 07/09
E-CLASS T-Model (S211)	E 350 T 4-matic (211.287)	200	03/05 07/09
E-CLASS T-Model (S211)	E 500 T (211.270)	225	10/03 07/09
E-CLASS T-Model (S211)	E 500 T (211.272)	285	04/06 07/09

E-CLASS T-Model (S211)	E 500 T 4-matic (211.283)	225	10/03 07/09
E-CLASS T-Model (S211)	E 500 T 4-matic (211.290)	285	04/06 07/09
E-CLASS T-Model (S212)	E 300 (212.254)	170	11/09 -
E-CLASS T-Model (S212)	E 300 (212.255)	185	07/11 -
E-CLASS T-Model (S212)	E 300 4-matic (212.280)	185	07/11 -
E-CLASS T-Model (S212)	E 300 CDI (212.220)	150	12/09 12/10
E-CLASS T-Model (S212)	E 300 CDI / BlueTEC (212.227, 212.221)	170	11/09 -
E-CLASS T-Model (S212)	E 300 Hybrid / BlueTEC Hybrid (212.298)	150	12/11 -
E-CLASS T-Model (S212)	E 350 (212.256)	200	08/09 -
E-CLASS T-Model (S212)	E 350 (212.259)	225	09/11 -
E-CLASS T-Model (S212)	E 350 4-matic (212.287)	200	11/09 -
E-CLASS T-Model (S212)	E 350 4-matic (212.288, 212.287)	225	09/11 -
E-CLASS T-Model (S212)	E 350 BlueTEC	185	11/12 -
E-CLASS T-Model (S212)	E 350 BlueTEC (212.224)	155	11/09 -
E-CLASS T-Model (S212)	E 350 BlueTEC (212.226)	190	07/14 -
E-CLASS T-Model (S212)	E 350 BlueTEC 4-matic	185	11/12 -
E-CLASS T-Model (S212)	E 350 BlueTEC 4-matic (212.294)	190	07/14 -
E-CLASS T-Model (S212)	E 350 CDI (212.223)	195	07/11 -
E-CLASS T-Model (S212)	E 350 CDI (212.225)	170	11/09 -
E-CLASS T-Model (S212)	E 350 CDI 4-matic (212.289)	170	11/09 -
E-CLASS T-Model (S212)	E 350 CDI 4-matic (212.293)	195	07/11 -
E-CLASS T-Model (S212)	E 350 CGI (212.257)	215	11/09 -
E-CLASS T-Model (S212)	E 400	245	01/13 -
E-CLASS T-Model (S212)	E 400 (212.261)	245	07/14 -
E-CLASS T-Model (S212)	E 400 4-matic	245	01/13 -
E-CLASS T-Model (S212)	E 400 4-matic (212.299)	245	07/14 -
GLK-CLASS (X204)	200 (204.934)	135	08/13 06/15
GLK-CLASS (X204)	200 CDI (204.901)	105	07/10 06/15
GLK-CLASS (X204)	200 CDI (204.901)	100	12/13 06/15
GLK-CLASS (X204)	220 CDI (204.902)	120	12/08 06/15
GLK-CLASS (X204)	220 CDI (204.902)	125	12/08 06/15

GLK-CLASS (X204)	220 CDI 4-matic (204.984)	120	12/08 06/15
GLK-CLASS (X204)	220 CDI 4-matic (204.984, 204.997)	125	12/08 06/15
GLK-CLASS (X204)	250 (204.936)	155	08/13 06/15
GLK-CLASS (X204)	250 4-matic (204.937)	155	08/13 06/15
GLK-CLASS (X204)	250 CDI 4-matic (204.982, 204.904)	150	09/09 06/15
GLK-CLASS (X204)	280 4-matic (204.981)	170	06/08 06/09
GLK-CLASS (X204)	300 4-matic	185	09/09 06/15
GLK-CLASS (X204)	300 4-matic (204.981)	170	07/09 12/15
GLK-CLASS (X204)	320 CDI 4-matic (204.983)	165	06/08 06/15
GLK-CLASS (X204)	350 (204.956)	200	04/09 06/15
GLK-CLASS (X204)	350 4-matic (204.987)	200	06/08 04/11
GLK-CLASS (X204)	350 4-matic (204.988)	225	06/08 06/15
GLK-CLASS (X204)	350 CDI 4-matic (204.992)	170	02/10 06/15
GLK-CLASS (X204)	350 CDI 4-matic (204.992)	165	07/09 01/10
GLK-CLASS (X204)	350 CDI 4-matic (204.993)	195	07/12 06/15
GLK-CLASS (X204)	350 CGI	225	09/12 06/15

MERCEDES-BENZ (BBDC)

Modell	Típus	Kw	Év
E-CLASS (W211)	1.8 E 200 Kompressor (211.041)	135	09/06 12/12
E-CLASS (W211)	1.8 E 200 Kompressor (211.042)	120	11/05 12/06
E-CLASS (W211)	2.5 E 230 (211.052)	150	11/05 12/09
E-CLASS (W211)	3.0 E 280 (211.054)	170	11/05 12/09
E-CLASS (W211)	3.5 E 350 (211.056)	200	11/05 12/09
E-CLASS (W212)	E 180 L (212.133)	125	11/14 -
E-CLASS (W212)	E 200 L (212.134)	135	06/14 -
E-CLASS (W212)	E 260 L (212.136)	155	06/14 -
E-CLASS (W212)	E 260 L CGI (212.147)	150	06/10 12/14
E-CLASS (W212)	E 300 L (212.154)	180	12/10 12/14
E-CLASS (W212)	E 320 L (212.162)	200	06/14 -
E-CLASS (W212)	E 320 L 4-matic (212.168)	200	06/14 -
E-CLASS (W212)	E 400 L (212.165)	245	08/13 12/14
E-CLASS (W212)	E 400 L 4-matic (212.167)	245	06/14 -

E-CLASS (W212)	E 400 L HYBRID (212.195)	225	06/14 -
GLK Closed Off-Road Vehicle (X204)	200 (204.934)	135	06/14 12/15
GLK Closed Off-Road Vehicle (X204)	260 4-matic (204.937)	155	08/13 12/15
GLK Closed Off-Road Vehicle (X204)	300 4-matic (204.981)	180	04/12 12/15

OE kódok

Kompatibilis OE kódok

MERCEDES-BENZ	0004230912
MERCEDES-BENZ	2114230912
MERCEDES-BENZ	A0004230912
MERCEDES-BENZ	A2114230912