



BRAKE DISC

09.A969.10

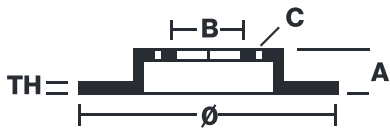
The **09.A969.10** brake disc is synonymous with reliability

The Brembo brake disc is fully interchangeable with an Original Equipment brake disc. The control of the entire production cycle allows Brembo to offer brake discs with outstanding performance levels, reliability, durability and comfort in all conditions of use. All Brembo brake discs are accompanied by the ECE-R90 homologation.

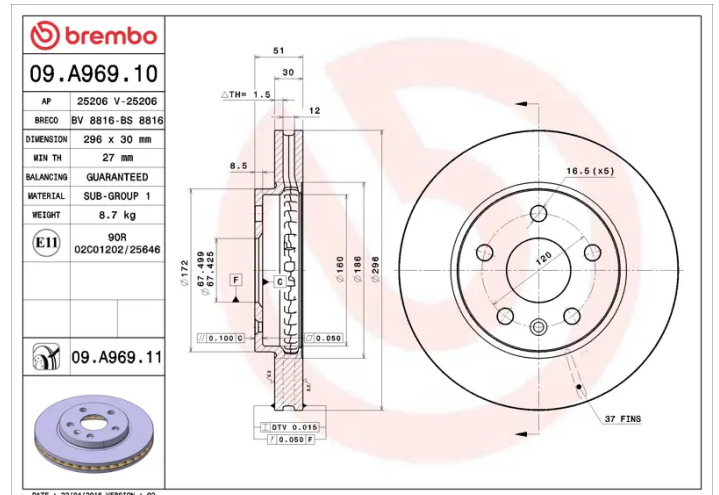
- ✓ OE-equivalent
- ✓ Brembo quality
- ✓ ECE-R90 certificate
- ✓ Safety



Technical specifications



EAN code 8020584025826	Axle Front	Diameter Ø 296 mm
Thickness (TH) 30 mm	Height (A) 51 mm	Number of holes (C) 5
Brake disc type Ventilated	Centering (B) 67 mm	Min. thickness 27 mm
Tightening torque 150 Nm		



COMPATIBLE VEHICLES

COMPATIBLE OE PART NUMBERS

23118529	BUICK
13501307	BUICK (SGM)
13501319	BUICK (SGM)
13501296	CHEVROLET
13501307	CHEVROLET
13501319	CHEVROLET
23118529	CHEVROLET
13501319	CHEVROLET (SGM)
13501307	OPEL
13502213	OPEL
13579147	OPEL
569063	OPEL
569078	OPEL
569421	OPEL
13502213	SAAB
13579148	SAAB
13501307	VAUXHALL
13502213	VAUXHALL
13579147	VAUXHALL