

BRAKE DISC PAINTED 09.D411.33

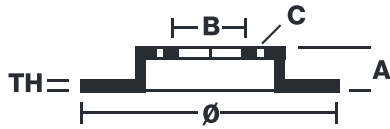
The 09.D411.33 painted brake disc is synonymous with reliability

The Brembo brake disc with special UV paint treatment guarantees superior corrosion resistance for the product, thanks to the protective coating on the outer edges and on the disc hub. The UV paint not only gives the disc a clean, shiny appearance but is also beneficial for the environment as the water-based UV paint treatment does not require the use of chemical solvents and is a low energy consumption process.



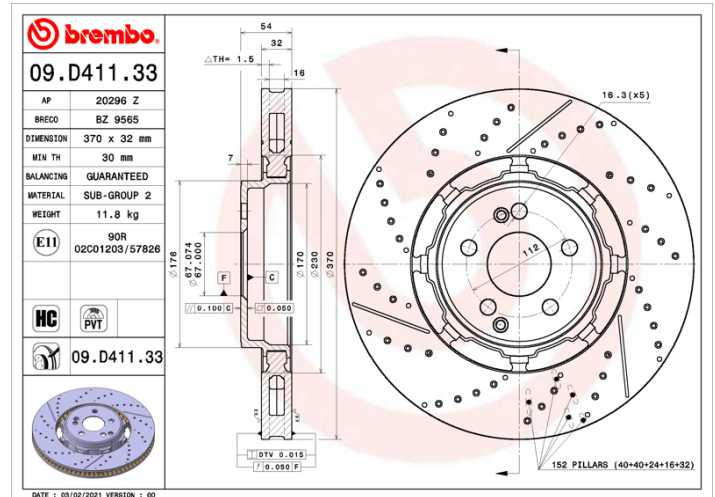
- ✓ OE-equivalent
- ✓ Brembo quality
- ✓ ECE-R90 certificate
- ✓ Safety
- ✓ High carbon
- ✓ Bi-Material Brake Disc
- ✓ Anti-corrosion

Technical specifications



EAN code	Diameter	
8020584316986	370 mm	
Thickness (TH)	Height (A)	Number of holes (C)
32 mm	54 mm	5
Brake disc type	Centering (B)	Min. thickness
Ventilated	67 mm	30 mm

Units per box
1



COMPATIBLE VEHICLES

MERCEDES-BENZ

GLE (V167)	AMG GLE 53 EQ Boost 4-matic+ (167.161)	320/435	04/19
GLE (V167)	AMG GLE 63 EQ Boost 4-matic+ (167.188)	420/571	11/19
GLE (V167)	AMG GLE 63 S EQ Boost 4-matic+ (167.189)	450/612	11/19
GLE Coupe (C167)	AMG GLE 53 EQ Boost 4-matic+ (167.361)	320/435	11/19

GLE Coupe (C167)

AMG GLE 63 EQ Boost 4-matic+ (167.388)

420/571

03/20

GLE Coupe (C167)

AMG GLE 63 EQ Boost 4-matic+ (167.389)

450/612

03/20

COMPATIBLE OE PART NUMBERS

1674231000

MERCEDES-BENZ

A1674231000

MERCEDES-BENZ
