



# BRAKE DISC PAINTED

## 09.D419.11

The 09.D419.11 painted brake disc is synonymous with reliability

The Brembo brake disc with special UV paint treatment guarantees superior corrosion resistance for the product, thanks to the protective coating on the outer edges and on the disc hub. The UV paint not only gives the disc a clean, shiny appearance but is also beneficial for the environment as the water-based UV paint treatment does not require the use of chemical solvents and is a low energy consumption process.

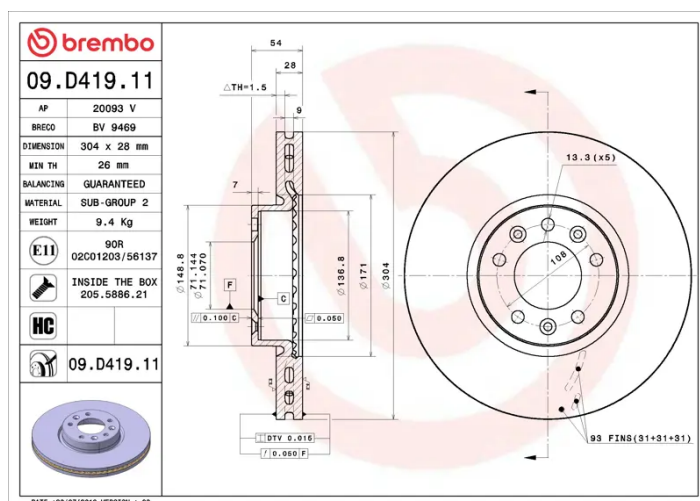
- ✓ OE-equivalent
- ✓ Brembo quality
- ✓ ECE-R90 certificate
- ✓ Safety
- ✓ High carbon
- ✓ Anti-corrosion
- ✓ Fastening screws



### Technical specifications



EAN code <b>8020584312773</b>	Axle <b>Front</b>	Diameter $\varnothing$ <b>304 mm</b>
Thickness (TH) <b>28 mm</b>	Height (A) <b>54 mm</b>	Number of holes (C) <b>5</b>
Brake disc type <b>Ventilated</b>	Centering (B) <b>71 mm</b>	Min. thickness <b>26 mm</b>



**COMPATIBLE VEHICLES**

## COMPATIBLE OE PART NUMBERS

1647883380	CITROËN
------------	---------

9805260180	CITROËN
------------	---------

1647883380	OPEL
------------	------

9805260180	OPEL
------------	------

1647883380	PEUGEOT
------------	---------

9805260180	PEUGEOT
------------	---------

SU001A3869	TOYOTA
------------	--------

SU001B4397	TOYOTA
------------	--------

1647883380	VAUXHALL
------------	----------

9805260180	VAUXHALL
------------	----------