



# BRAKE PAD PRIME CERAMIC P06075N

The P06075N NAO brake pad is synonymous with reliability

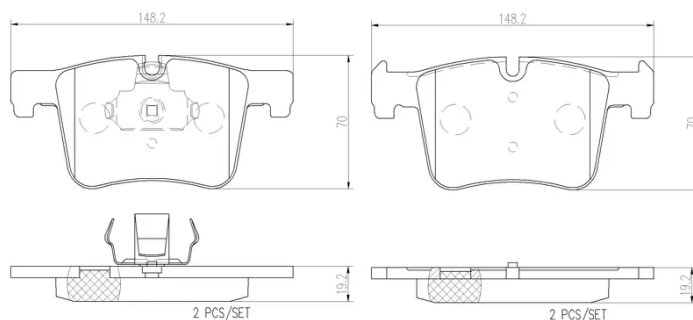
Brembo NAO brake pads stand out for their ultimate braking comfort, reduced friction wear and low dust mission, which makes for cleaner rims and reduced maintenance requirements. The advanced friction material in keeping with the strictest environmental standards is the main distinguishing feature of NAO compounds.

- ✓ OE-equivalent
- ✓ Brembo quality
- ✓ Safety
- ✓ Comfort
- ✓ Durability
- ✓ Dust reduction
- ✓ With accessories



## Technical specifications

EAN code <b>8020584081457</b>	Axle <b>Front</b>	Thickness <b>19 mm</b>
Width <b>148 mm</b>	Height <b>70 mm</b>	Braking system <b>Bosch</b>
Wear indicator <b>Prepared for wear indicator</b>	WVA number <b>25199,25200</b>	Accessories <b>With accessories With anti-squeal shim With piston clip</b>



COMPATIBLE VEHICLES

## COMPATIBLE OE PART NUMBERS

34106799801 BMW

---

34106856191 BMW

---

34106859181 BMW

---

34106859182 BMW

---

34112456867 BMW

---

34112456868 BMW

---

34112464194 BMW

---

34114073936 BMW

---

34116798978 BMW

---

34116854126 BMW

---

34116856193 BMW

---

34118855010 BMW

---

8855010 BMW

---