



BRAKE PAD PRIME CERAMIC P11022N

The P11022N NAO brake pad is synonymous with reliability

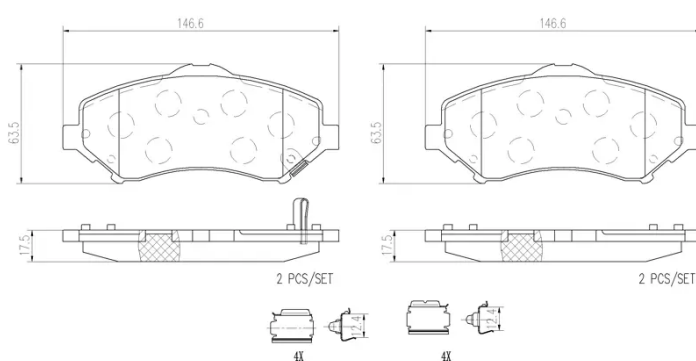
Brembo NAO brake pads stand out for their ultimate braking comfort, reduced friction wear and low dust mission, which makes for cleaner rims and reduced maintenance requirements. The advanced friction material in keeping with the strictest environmental standards is the main distinguishing feature of NAO compounds.

- ✓ OE-equivalent
- ✓ Brembo quality
- ✓ Safety
- ✓ Comfort
- ✓ Durability
- ✓ Dust reduction
- ✓ With accessories



Technical specifications

| | | |
|-----------------------------------|----------------------------------|---|
| EAN code 8020584096598 | Axle Front | Thickness 18 mm |
| Width 147 mm | Height 64 mm | Braking system Bosch |
| Wear indicator Acoustic | WVA number 24604,24605 | Accessories With anti-squeal shim |



COMPATIBLE VEHICLES

COMPATIBLE OE PART NUMBERS

| | |
|-------------|----------|
| 7B0698151A | AUDI |
| 7B0698151C | AUDI |
| 7B0698151D | AUDI |
| 7B0698151F | AUDI |
| 068003701AB | CHRYSLER |
| 68003701AB | CHRYSLER |
| K68029264AB | CHRYSLER |
| K68053152AA | CHRYSLER |
| 2AMV3762AB | DODGE |
| 68029264AA | DODGE |
| 68029264AB | DODGE |
| V1013152AB | DODGE |
| V1013701AA | DODGE |
| V1013701AB | DODGE |
| K68029264AA | FIAT |
| 2AMV3701AA | JEEP |
| 2AMV3762AC | JEEP |
| 68003701AA | JEEP |
| 68003701AC | JEEP |
| 68003701AD | JEEP |
| K68003701AA | JEEP |
| K68044866AA | JEEP |
| KV1013701AA | JEEP |
| LC003701AB | JEEP |
| V1013701AA | JEEP |
| 7B0698151A | SEAT |
| 7B0698151C | SEAT |
| 7B0698151D | SEAT |
| 7B0698151F | SEAT |
| 7B0698151A | SKODA |
| 7B0698151C | SKODA |
| 7B0698151D | SKODA |
| 7B0698151F | SKODA |
| 7B0698151A | VW |
| 7B0698151C | VW |
| 7B0698151D | VW |
| 7B0698151F | VW |