



BRAKE PAD PRIME CERAMIC

P24042N

The P24042N NAO brake pad is synonymous with reliability

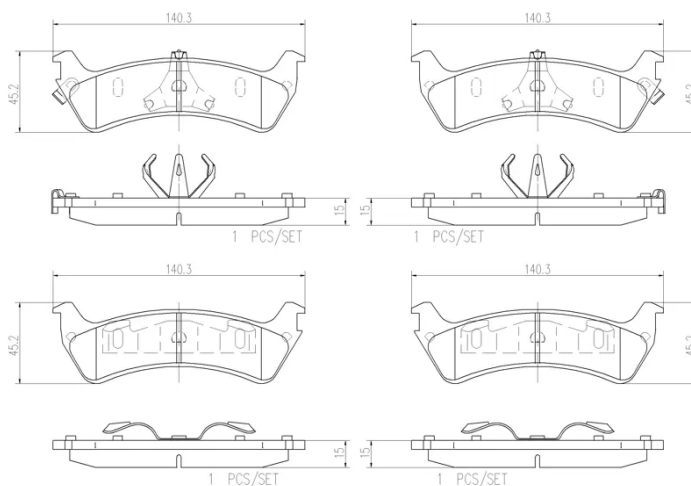
Brembo NAO brake pads stand out for their ultimate braking comfort, reduced friction wear and low dust mission, which makes for cleaner rims and reduced maintenance requirements. The advanced friction material in keeping with the strictest environmental standards is the main distinguishing feature of NAO compounds.

- ✓ OE-equivalent
- ✓ Brembo quality
- ✓ Safety
- ✓ Comfort
- ✓ Durability
- ✓ Dust reduction
- ✓ With accessories



Technical specifications

EAN code 8020584096963	Axle Rear	Thickness 15 mm
Width 140 mm	Height 45 mm	Braking system Kelsey Hayes
Wear indicator Acoustic	WVA number 23627,23628,23629,23630	Accessories With accessories With anti-squeal shim With piston clip



COMPATIBLE VEHICLES

COMPATIBLE OE PART NUMBERS

1L2Z2200CA	FORD
------------	------

2L2Z2200BA	FORD
------------	------

2U2Z2V200BB	FORD
-------------	------

XL2Z2200AA	FORD
------------	------

XU2Z2V200SA	FORD
-------------	------

1L2Z2200CA	FORD USA
------------	----------

2L2Z2200BA	FORD USA
------------	----------

2U2Z2V200BB	FORD USA
-------------	----------

3648797	FORD USA
---------	----------

3L2J2200AA	FORD USA
------------	----------

4056992	FORD USA
---------	----------

4565830	FORD USA
---------	----------

5262349	FORD USA
---------	----------

F5TZ2200A	FORD USA
-----------	----------

XL242200AA	FORD USA
------------	----------

XL2Z2200BA	FORD USA
------------	----------

XU2J2C453SA	FORD USA
-------------	----------

XU2J2C453SB	FORD USA
-------------	----------

XU2Z2V200SA	FORD USA
-------------	----------

4799999	JEEP
---------	------