

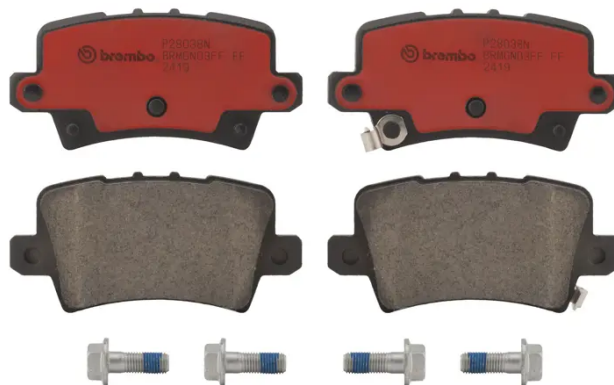


BRAKE PAD PRIME CERAMIC P28038N

The P28038N NAO brake pad is synonymous with reliability

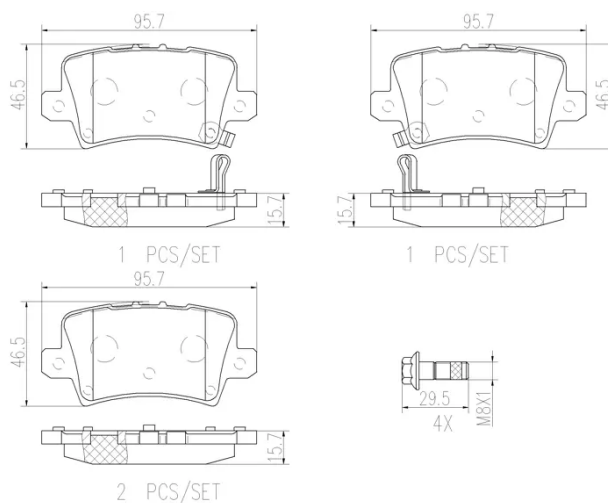
Brembo NAO brake pads stand out for their ultimate braking comfort, reduced friction wear and low dust mission, which makes for cleaner rims and reduced maintenance requirements. The advanced friction material in keeping with the strictest environmental standards is the main distinguishing feature of NAO compounds.

- ✓ OE-equivalent
- ✓ Brembo quality
- ✓ Safety
- ✓ Comfort
- ✓ Durability
- ✓ Dust reduction
- ✓ With accessories



Technical specifications

EAN code 8020584086407	Axle Rear	Thickness 16 mm
Width 96 mm	Height 47 mm	Braking system Lucas
Wear indicator Acoustic	WVA number 24519,24086,24518	Accessories With anti-squeal shim With accessories With brake caliper bolts



COMPATIBLE VEHICLES

COMPATIBLE OE PART NUMBERS

43022SMGE00 HONDA

43022SMGE01 HONDA

43022SMGE02 HONDA

43022SMGE03 HONDA

43224SMGE01 HONDA
