



# BRAKE PAD PRIME CERAMIC P50045N

The P50045N NAO brake pad is synonymous with reliability

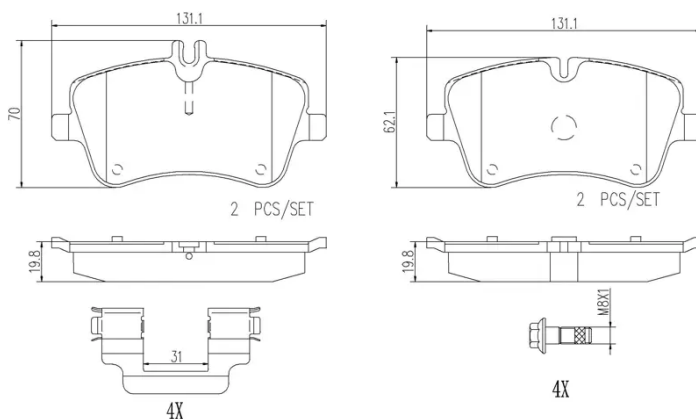
Brembo NAO brake pads stand out for their ultimate braking comfort, reduced friction wear and low dust mission, which makes for cleaner rims and reduced maintenance requirements. The advanced friction material in keeping with the strictest environmental standards is the main distinguishing feature of NAO compounds.

- ✓ OE-equivalent
- ✓ Brembo quality
- ✓ Safety
- ✓ Comfort
- ✓ Durability
- ✓ Dust reduction
- ✓ With accessories



## Technical specifications

EAN code <b>8020584098479</b>	Axle <b>Front</b>	Thickness <b>20 mm</b>
Width <b>131 mm</b>	Height <b>62 mm</b>	Braking system <b>Lucas</b>
Wear indicator <b>Prepared for wear indicator</b>	WVA number <b>23144,23145</b>	Accessories <b>With accessories With anti-squeal shim With brake caliper bolts</b>



**COMPATIBLE VEHICLES**

## COMPATIBLE OE PART NUMBERS

0034202520 MERCEDES-BENZ

---

0034204520 MERCEDES-BENZ

---

0034205920 MERCEDES-BENZ

---

0034209520 MERCEDES-BENZ

---

0054206220 MERCEDES-BENZ

---

A0034202520 MERCEDES-BENZ

---

A0034204520 MERCEDES-BENZ

---

A0034205920 MERCEDES-BENZ

---

A0034209520 MERCEDES-BENZ

---

A0054206220 MERCEDES-BENZ

---