



BRAKE PAD PRIME CERAMIC P59027N

The P59027N NAO brake pad is synonymous with reliability

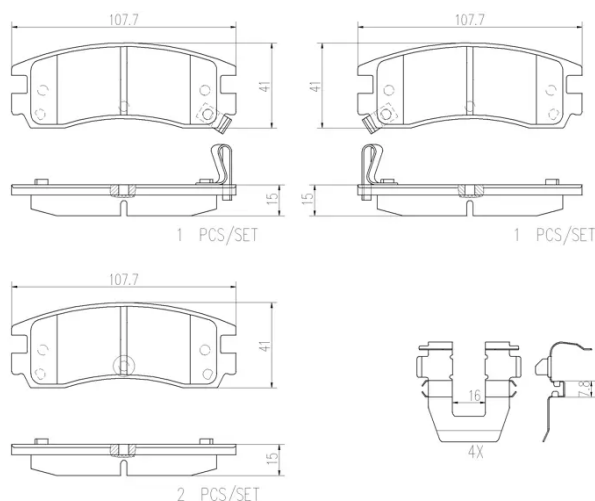
Brembo NAO brake pads stand out for their ultimate braking comfort, reduced friction wear and low dust mission, which makes for cleaner rims and reduced maintenance requirements. The advanced friction material in keeping with the strictest environmental standards is the main distinguishing feature of NAO compounds.

- ✓ OE-equivalent
- ✓ Brembo quality
- ✓ Safety
- ✓ Comfort
- ✓ Durability
- ✓ Dust reduction
- ✓ With accessories



Technical specifications

EAN code 8020584099094	Axle Rear	Thickness 15 mm
Width 108 mm	Height 41 mm	Braking system Akebono
Wear indicator Acoustic	WVA number 23361,23362,23363	Accessories With anti-squeal shim



COMPATIBLE VEHICLES

COMPATIBLE OE PART NUMBERS

12510037	BUICK
18021692	BUICK
18043999	BUICK
18045984	BUICK
19152685	BUICK
19209340	BUICK
88967229	BUICK
93734240	BUICK (SGM)
18019041	CADILLAC
18024530	CADILLAC
18024922	CADILLAC
18024939	CADILLAC
18026218	CADILLAC
18029644	CADILLAC
18029826	CADILLAC
18040044	CADILLAC
18040262	CADILLAC
18043996	CADILLAC
18043999	CADILLAC
18044000	CADILLAC
19152665	CADILLAC
19213362	CADILLAC
18029844	CHEVROLET
18040160	CHEVROLET
18042417	CHEVROLET
18043995	CHEVROLET
18044883	CHEVROLET
18045984	CHEVROLET
19149251	CHEVROLET
19152685	CHEVROLET
19209340	CHEVROLET
88967229	CHEVROLET
18024926	GENERAL MOTORS
18024930	GENERAL MOTORS
12510045	OLDSMOBILE
18029826	OLDSMOBILE
1605939	OPEL
18023377	OPEL
12510016	PONTIAC
12510048	PONTIAC
18043999	PONTIAC
21010593	SATURN
21012052	SATURN
21013126	SATURN