



BRAKE PAD PRIME CERAMIC P86021N

The P86021N NAO brake pad is synonymous with reliability

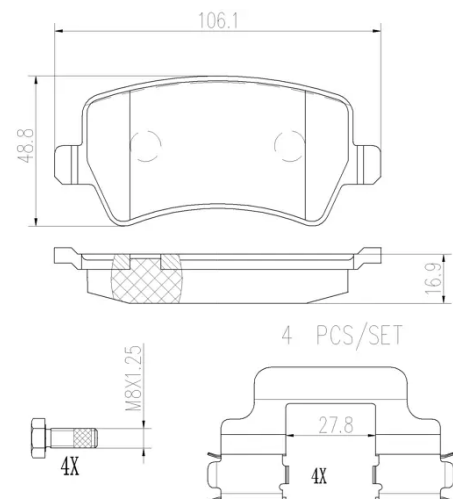
Brembo NAO brake pads stand out for their ultimate braking comfort, reduced friction wear and low dust mission, which makes for cleaner rims and reduced maintenance requirements. The advanced friction material in keeping with the strictest environmental standards is the main distinguishing feature of NAO compounds.

- ✓ OE-equivalent
- ✓ Brembo quality
- ✓ Safety
- ✓ Comfort
- ✓ Durability
- ✓ Dust reduction
- ✓ With accessories



Technical specifications

EAN code 8020584081846	Axle Rear	Thickness 17 mm
Width 106 mm	Height 49 mm	Braking system TRW
Wear indicator Without	WVA number 24496	Accessories With accessories With anti-squeal shim With brake caliper bolts



COMPATIBLE VEHICLES

COMPATIBLE OE PART NUMBERS

30671574	VOLVO
----------	-------

306715740	VOLVO
-----------	-------

306715750	VOLVO
-----------	-------

30742491	VOLVO
----------	-------

30794554	VOLVO
----------	-------

31408670	VOLVO
----------	-------

314086700	VOLVO
-----------	-------

31445796	VOLVO
----------	-------

32300257	VOLVO
----------	-------