

Fékbetét műszaki adatai

Tengely

Hátsó

WVA

23334, 23335

Szélesség

140,3 - 141,5 mm

Vastagság

16,8 mm

Magasság

57,4 - 59,5 mm

Fékrendszer

Teves

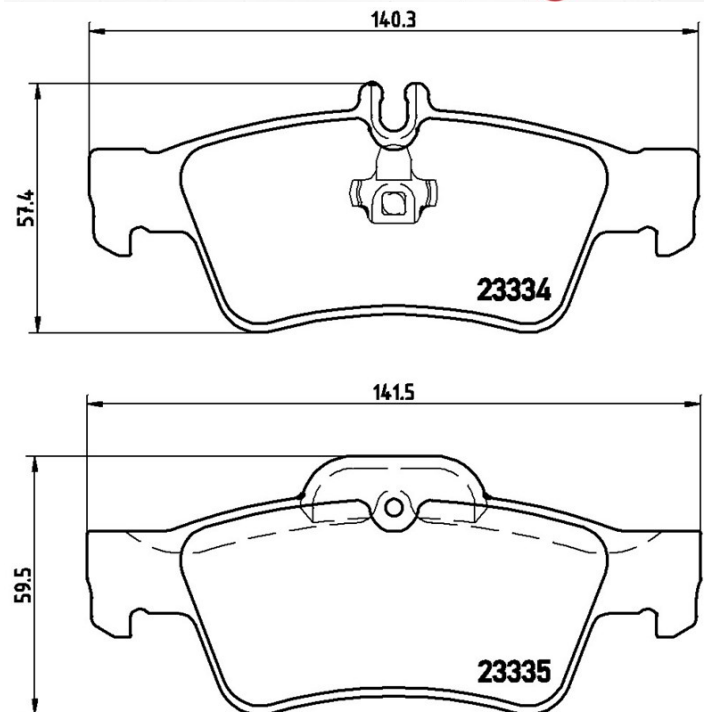
Kiegészítő felszerelés

Kopásjelző szenzor

Foglalattal ellátott

EAN kód

8020584054246



Kompatibilis járművek

MERCEDES-BENZ

Modell	Típus	Kw	Év
CLS (C218)	CLS 220 BlueTEC / d (218.301)	130	05/14 -
CLS (C218)	CLS 220 BlueTEC / d (218.301)	120	05/14 -
CLS (C218)	CLS 220 BlueTEC / d (218.301)	125	05/14 -
CLS (C218)	CLS 250 BlueTEC / d 4-matic (218.397)	150	05/14 -
CLS (C218)	CLS 250 CDI / BlueTEC / d (218.303, 218.304)	150	04/11 -
CLS (C218)	CLS 260 (218.336)	155	01/15 -

CLS (C218)	CLS 300 (218.355)	185	10/11 -
CLS (C218)	CLS 320 (218.362)	200	01/15 -
CLS (C218)	CLS 350 (218.359)	225	01/11 -
CLS (C218)	CLS 350 BlueTEC / d (218.326)	185	11/12 -
CLS (C218)	CLS 350 BlueTEC / d (218.326)	190	06/14 -
CLS (C218)	CLS 350 BlueTEC / d 4-matic (218.394)	185	11/12 -
CLS (C218)	CLS 350 CDI / d (218.323)	195	01/11 -
CLS (C218)	CLS 350 CDI / d 4-matic (218.393)	195	09/11 -
CLS (C218)	CLS 350 d 4-matic (218.394)	190	04/15 -
CLS (C218)	CLS 400 (218.361)	245	07/14 -
CLS (C218)	CLS 400 (218.365)	245	05/14 -
CLS (C218)	CLS 400 4-matic (218.367)	245	05/14 -
CLS (C218)	CLS 400 4-matic (218.368)	245	07/14 -
CLS (C218)	CLS 500 (218.373)	300	02/11 -
CLS (C218)	CLS 500 4-matic (218.391)	300	09/11 -
CLS (C219)	CLS 280 (219.354)	170	07/08 12/10
CLS (C219)	CLS 300 (219.354)	170	04/09 12/10
CLS (C219)	CLS 320 CDI	155	01/05 12/10
CLS (C219)	CLS 320 CDI (219.322)	165	01/05 12/10
CLS (C219)	CLS 350 (219.356)	200	10/04 12/10
CLS (C219)	CLS 350 (219.357)	215	04/06 12/10
CLS (C219)	CLS 350 CDI	200	04/09 12/10
CLS (C219)	CLS 350 CDI (219.322)	165	04/09 12/10
CLS (C219)	CLS 500 (219.372)	285	04/06 12/10
CLS (C219)	CLS 500 (219.375)	225	10/04 12/10
CLS Shooting Brake (X218)	CLS 220 BlueTEC / d (218.901)	130	05/14 -
CLS Shooting Brake (X218)	CLS 220 BlueTEC / d (218.901)	120	05/14 -
CLS Shooting Brake (X218)	CLS 220 BlueTEC / d (218.901)	125	05/14 -
CLS Shooting Brake (X218)	CLS 250 BlueTEC / d 4-matic (218.997)	150	05/14 -
CLS Shooting Brake (X218)	CLS 250 CDI / BlueTEC / d (218.903, 218.904)	150	10/12 -

CLS Shooting Brake (X218)	CLS 260 (218.936)	155	05/16 -
CLS Shooting Brake (X218)	CLS 350 (218.959)	225	10/12 -
CLS Shooting Brake (X218)	CLS 350 BlueTEC / d (218.926)	190	05/14 -
CLS Shooting Brake (X218)	CLS 350 BlueTEC / d 4-matic (218.994)	185	05/14 -
CLS Shooting Brake (X218)	CLS 350 CDI / d (218.923)	195	10/12 -
CLS Shooting Brake (X218)	CLS 350 CDI / d 4-matic (218.993)	195	10/12 -
CLS Shooting Brake (X218)	CLS 350 d 4-matic (218.994)	190	04/15 -
CLS Shooting Brake (X218)	CLS 400 (218.961)	245	07/14 -
CLS Shooting Brake (X218)	CLS 400 (218.965)	245	05/14 -
CLS Shooting Brake (X218)	CLS 400 4-matic (218.967)	245	05/14 -
CLS Shooting Brake (X218)	CLS 400 4-matic (218.968)	245	07/14 -
CLS Shooting Brake (X218)	CLS 500 (218.973)	300	10/12 -
CLS Shooting Brake (X218)	CLS 500 4-matic (218.991)	300	10/12 -
E-CLASS (W211)	E 200 CDI (211.004)	75	07/02 12/08
E-CLASS (W211)	E 200 CDI (211.004)	90	07/02 12/08
E-CLASS (W211)	E 200 CDI (211.007)	100	04/06 12/08
E-CLASS (W211)	E 200 Kompressor (211.041)	135	04/06 12/08
E-CLASS (W211)	E 200 Kompressor (211.042)	120	11/02 12/08
E-CLASS (W211)	E 200 NGT (211.042)	120	03/04 12/08
E-CLASS (W211)	E 220 CDI	120	03/03 12/08
E-CLASS (W211)	E 220 CDI (211.006)	100	03/02 12/08
E-CLASS (W211)	E 220 CDI (211.006)	110	03/02 12/08
E-CLASS (W211)	E 220 CDI (211.008)	125	04/06 12/08
E-CLASS (W211)	E 230 (211.052)	150	09/07 12/08
E-CLASS (W211)	E 240 (211.061)	130	03/02 12/08
E-CLASS (W211)	E 240 4-matic (211.080)	130	03/03 12/08
E-CLASS (W211)	E 270 CDI (211.016)	120	03/02 12/08
E-CLASS (W211)	E 270 CDI (211.016)	130	03/02 12/08
E-CLASS (W211)	E 280 (211.054)	170	03/05 12/08
E-CLASS (W211)	E 280 4-matic (211.092)	170	01/06 12/08
E-CLASS (W211)	E 280 CDI (211.020)	140	03/05 12/08

E-CLASS (M211)	E 280 CDI (211.023)	130	05/04 12/08
E-CLASS (M211)	E 280 CDI 4-matic (211.084)	140	03/05 12/08
E-CLASS (M211)	E 300 BlueTEC (211.024)	155	09/07 12/08
E-CLASS (M211)	E 320 (211.065)	165	03/02 12/08
E-CLASS (M211)	E 320 4-matic (211.082)	165	03/03 12/08
E-CLASS (M211)	E 320 CDI (211.022)	165	03/05 12/08
E-CLASS (M211)	E 320 CDI (211.026)	150	11/02 12/08
E-CLASS (M211)	E 320 CDI 4-matic (211.089)	165	03/05 12/08
E-CLASS (M211)	E 350 (211.056)	200	03/05 12/08
E-CLASS (M211)	E 350 4-matic (211.087)	200	03/05 12/08
E-CLASS (M211)	E 350 CGI (211.057)	215	09/07 12/08
E-CLASS (M211)	E 400 CDI (211.028)	191	02/03 12/08
E-CLASS (M211)	E 420 CDI (211.029)	231	01/06 12/08
E-CLASS (M211)	E 500 (211.070)	225	03/02 12/08
E-CLASS (M211)	E 500 (211.072)	285	04/06 12/08
E-CLASS (M211)	E 500 4-matic (211.083)	225	10/03 12/08
E-CLASS (M211)	E 500 4-matic (211.090)	285	04/06 12/08
E-CLASS (M212)	E 200 (212.034)	135	01/13 -
E-CLASS (M212)	E 200 CDI / BlueTEC (212.005, 212.006)	100	01/09 -
E-CLASS (M212)	E 200 CGI (212.048, 212.148)	135	08/09 -
E-CLASS (M212)	E 200 NGT (212.035)	115	07/13 -
E-CLASS (M212)	E 200 NGT (212.041)	120	03/11 -
E-CLASS (M212)	E 220 BlueTEC (212.001)	130	05/14 -
E-CLASS (M212)	E 220 BlueTEC 4-matic (212.011)	125	01/15 -
E-CLASS (M212)	E 220 CDI	120	01/09 -
E-CLASS (M212)	E 220 CDI / BlueTEC (212.001, 212.002)	125	01/09 -
E-CLASS (M212)	E 250 (212.036)	155	01/13 -
E-CLASS (M212)	E 250 CDI / BlueTEC (212.003, 212.004)	150	01/09 -
E-CLASS (M212)	E 250 CDI / BlueTEC 4-matic (212.082, 212.097)	150	01/09 -
E-CLASS (M212)	E 250 CGI (212.047, 212.147)	150	01/09 -

E-CLASS (W212)	E 300 (212.054)	170	01/09 -
E-CLASS (W212)	E 300 (212.055)	185	07/11 -
E-CLASS (W212)	E 300 4-matic (212.080)	185	07/11 -
E-CLASS (W212)	E 300 CDI (212.020)	150	12/09 12/10
E-CLASS (W212)	E 300 CDI / BlueTEC (212.020, 212.021, 212.027)	170	03/11 -
E-CLASS (W212)	E 300 Hybrid / BlueTEC Hybrid (212.098)	150	12/11 -
E-CLASS (W212)	E 350 (212.056)	200	01/09 -
E-CLASS (W212)	E 350 (212.059)	225	09/11 -
E-CLASS (W212)	E 350 4-matic (212.087)	200	01/09 08/11
E-CLASS (W212)	E 350 4-matic (212.088)	225	09/11 -
E-CLASS (W212)	E 350 BlueTEC	185	11/12 -
E-CLASS (W212)	E 350 BlueTEC (212.024)	155	01/09 -
E-CLASS (W212)	E 350 BlueTEC (212.026)	190	05/14 -
E-CLASS (W212)	E 350 BlueTEC 4-matic (212.094)	190	05/14 -
E-CLASS (W212)	E 350 BlueTEC 4-matic (212.094)	185	11/12 -
E-CLASS (W212)	E 350 CDI (212.023)	195	03/11 -
E-CLASS (W212)	E 350 CDI (212.025)	170	01/09 -
E-CLASS (W212)	E 350 CDI 4-matic (212.089)	170	09/09 -
E-CLASS (W212)	E 350 CDI 4-matic (212.093)	195	03/11 -
E-CLASS (W212)	E 350 CGI (212.057)	215	01/09 08/11
E-CLASS (W212)	E 400 (212.061)	245	07/14 -
E-CLASS (W212)	E 400 (212.065)	245	01/13 -
E-CLASS (W212)	E 400 4-matic (212.067)	245	01/13 -
E-CLASS (W212)	E 400 4-matic (212.099)	245	07/14 -
E-CLASS (W212)	E 400 Hybrid (212.095)	245	05/15 -
E-CLASS (W212)	E 500 (212.072)	285	01/09 -
E-CLASS (W212)	E 500 (212.073)	300	09/11 -
E-CLASS (W212)	E 500 4-matic (212.090)	285	01/09 -
E-CLASS (W212)	E 500 4-matic (212.091)	300	09/11 -
E-CLASS Platform/Chassis (VF211)	E 220 CDI (211.606)	110	10/03 07/06
E-CLASS Platform/Chassis (VF211)	E 220 CDI (211.608)	125	04/06 07/09

E-CLASS Platform/Chassis (VF211)	E 270 CDI (211.616)	120	03/03 07/09
E-CLASS Platform/Chassis (VF211)	E 270 CDI (211.616)	130	10/03 07/05
E-CLASS Platform/Chassis (VF211)	E 280 CDI (211.620)	140	08/05 07/09
E-CLASS T-Model (S211)	350 CGI (211.257)	215	05/06 07/09
E-CLASS T-Model (S211)	E 200 CDI (211.207)	100	04/06 07/09
E-CLASS T-Model (S211)	E 200 Kompressor (211.241)	135	04/06 07/09
E-CLASS T-Model (S211)	E 200 T Kompressor (211.242)	120	03/03 07/09
E-CLASS T-Model (S211)	E 220 CDI (211.206)	100	03/03 07/09
E-CLASS T-Model (S211)	E 220 T CDI	120	03/03 07/09
E-CLASS T-Model (S211)	E 220 T CDI (211.206)	110	03/03 07/09
E-CLASS T-Model (S211)	E 220 T CDI (211.208)	125	04/06 07/09
E-CLASS T-Model (S211)	E 230 T (211.252)	150	05/07 07/09
E-CLASS T-Model (S211)	E 240 T (211.261)	130	03/03 07/09
E-CLASS T-Model (S211)	E 240 T 4-matic (211.280)	130	07/03 07/09
E-CLASS T-Model (S211)	E 270 T CDI (211.216)	120	03/03 07/09
E-CLASS T-Model (S211)	E 270 T CDI (211.216)	130	03/03 07/09
E-CLASS T-Model (S211)	E 280 T (211.254)	170	03/05 07/09
E-CLASS T-Model (S211)	E 280 T 4-matic (211.292)	170	03/05 07/09
E-CLASS T-Model (S211)	E 280 T CDI (211.220)	140	03/05 07/09
E-CLASS T-Model (S211)	E 280 T CDI (211.223)	130	05/04 07/09
E-CLASS T-Model (S211)	E 280 T CDI 4-matic (211.284)	140	03/05 07/09
E-CLASS T-Model (S211)	E 320 T (211.265)	165	03/03 07/09
E-CLASS T-Model (S211)	E 320 T 4-matic (211.282)	165	07/03 07/09
E-CLASS T-Model (S211)	E 320 T CDI (211.222)	155	11/07 07/09
E-CLASS T-Model (S211)	E 320 T CDI (211.222)	165	03/05 07/09
E-CLASS T-Model (S211)	E 320 T CDI (211.226)	150	03/03 07/09
E-CLASS T-Model (S211)	E 320 T CDI 4-matic (211.289)	165	03/05 07/09
E-CLASS T-Model (S211)	E 350 T (211.256)	200	03/05 07/09
E-CLASS T-Model (S211)	E 350 T 4-matic (211.287)	200	03/05 07/09
E-CLASS T-Model (S211)	E 500 T (211.270)	225	10/03 07/09
E-CLASS T-Model (S211)	E 500 T (211.272)	285	04/06 07/09

E-CLASS T-Model (S211)	E 500 T 4-matic (211.283)	225	10/03 07/09
E-CLASS T-Model (S211)	E 500 T 4-matic (211.290)	285	04/06 07/09
E-CLASS T-Model (S212)	E 200 (212.234)	135	11/12 -
E-CLASS T-Model (S212)	E 200 CDI / BlueTEC (212.205, 212.206)	100	11/09 -
E-CLASS T-Model (S212)	E 200 CGI (212.248)	135	11/09 -
E-CLASS T-Model (S212)	E 220 BlueTEC	130	05/15 -
E-CLASS T-Model (S212)	E 220 BlueTEC 4-matic (212.211)	125	12/14 -
E-CLASS T-Model (S212)	E 220 CDI (212.202)	120	08/09 -
E-CLASS T-Model (S212)	E 220 CDI / BlueTEC (212.202, 212.201)	125	11/09 -
E-CLASS T-Model (S212)	E 250 (212.236)	155	11/12 -
E-CLASS T-Model (S212)	E 250 CDI / BlueTEC (212.203, 212.204)	150	11/09 -
E-CLASS T-Model (S212)	E 250 CDI / BlueTEC 4-matic (212.282, 212.297)	150	07/10 -
E-CLASS T-Model (S212)	E 250 CGI (212.247)	150	11/09 -
E-CLASS T-Model (S212)	E 300 (212.254)	170	11/09 -
E-CLASS T-Model (S212)	E 300 (212.255)	185	07/11 -
E-CLASS T-Model (S212)	E 300 4-matic (212.280)	185	07/11 -
E-CLASS T-Model (S212)	E 300 CDI (212.220)	150	12/09 12/10
E-CLASS T-Model (S212)	E 300 CDI / BlueTEC (212.227, 212.221)	170	11/09 -
E-CLASS T-Model (S212)	E 300 Hybrid / BlueTEC Hybrid (212.298)	150	12/11 -
E-CLASS T-Model (S212)	E 350 (212.256)	200	08/09 -
E-CLASS T-Model (S212)	E 350 (212.259)	225	09/11 -
E-CLASS T-Model (S212)	E 350 4-matic (212.287)	200	11/09 -
E-CLASS T-Model (S212)	E 350 4-matic (212.288, 212.287)	225	09/11 -
E-CLASS T-Model (S212)	E 350 BlueTEC	185	11/12 -
E-CLASS T-Model (S212)	E 350 BlueTEC (212.224)	155	11/09 -
E-CLASS T-Model (S212)	E 350 BlueTEC (212.226)	190	07/14 -
E-CLASS T-Model (S212)	E 350 BlueTEC 4-matic	185	11/12 -
E-CLASS T-Model (S212)	E 350 BlueTEC 4-matic (212.294)	190	07/14 -
E-CLASS T-Model (S212)	E 350 CDI (212.223)	195	07/11 -

E-CLASS T-Model (S212)	E 350 CDI (212.225)	170	11/09 -
E-CLASS T-Model (S212)	E 350 CDI 4-matic (212.289)	170	11/09 -
E-CLASS T-Model (S212)	E 350 CDI 4-matic (212.293)	195	07/11 -
E-CLASS T-Model (S212)	E 350 CGI (212.257)	215	11/09 -
E-CLASS T-Model (S212)	E 400	245	01/13 -
E-CLASS T-Model (S212)	E 400 (212.261)	245	07/14 -
E-CLASS T-Model (S212)	E 400 4-matic	245	01/13 -
E-CLASS T-Model (S212)	E 400 4-matic (212.299)	245	07/14 -
E-CLASS T-Model (S212)	E 500 (212.272)	285	11/09 -
E-CLASS T-Model (S212)	E 500 (212.273)	300	09/11 -
E-CLASS T-Model (S212)	E 500 4-matic (212.291)	300	09/11 -
S-CLASS (W220)	S 280 (220.063, 220.163)	150	10/98 08/05
S-CLASS (W220)	S 320 (220.065, 220.165)	165	10/98 08/05
S-CLASS (W220)	S 320 CDI (220.025, 220.125)	150	09/02 08/05
S-CLASS (W220)	S 350 (220.067, 220.167)	180	09/02 08/05
S-CLASS (W220)	S 350 4-matic (220.087, 220.187)	180	06/03 08/05
S-CLASS (W220)	S 400 CDI (220.028, 220.128)	184	06/00 08/05
S-CLASS (W220)	S 400 CDI (220.028, 220.128)	191	06/03 08/05
S-CLASS (W220)	S 430 (220.070, 220.170)	205	10/98 08/05
S-CLASS (W220)	S 430 4-matic (220.083, 220.183)	205	09/02 08/05
S-CLASS (W220)	S 500 (220.075, 220.175, 220.875)	220	10/98 12/03
S-CLASS (W220)	S 500 (220.075, 220.175, 220.875)	225	10/98 08/05
S-CLASS (W220)	S 500 4-matic (220.084, 220.184)	225	09/02 08/05
S-CLASS (W221)	S 250 CDI (221.003, 221.103)	150	01/11 12/13
S-CLASS (W221)	S 280 (221.054)	170	08/06 12/13
S-CLASS (W221)	S 300 (221.054, 221.154)	170	08/06 12/13
S-CLASS (W221)	S 300 (221.154)	180	04/12 12/13
S-CLASS (W221)	S 320 CDI	155	10/05 12/13
S-CLASS (W221)	S 320 CDI (221.022, 221.122)	173	12/05 06/09
S-CLASS (W221)	S 320 CDI 4-matic (221.080, 221.180)	155	10/05 12/13
S-CLASS (W221)	S 320 CDI 4-matic (221.080, 221.180)	173	10/06 12/13

S-CLASS (W221)	S 350 (221.056, 221.156)	200	10/05 12/13
S-CLASS (W221)	S 350 4-matic (221.087, 221.187)	200	02/08 12/13
S-CLASS (W221)	S 350 BlueTec (221.026, 221.126)	190	04/11 12/13
S-CLASS (W221)	S 350 BlueTEC 4-matic (221.083, 221.183)	190	04/11 12/13
S-CLASS (W221)	S 350 CDI	173	06/09 12/13
S-CLASS (W221)	S 350 CDI 4-matic (221.080, 221.081)	155	01/09 12/10
S-CLASS (W221)	S 350 CDI 4-matic (221.080, 221.180)	173	06/09 07/13
S-CLASS (W221)	S 350 CGI (221.057, 221.157)	225	04/11 12/13
S-CLASS (W221)	S 350 CGI 4-matic (221.082, 221.182)	225	04/11 12/13
S-CLASS (W221)	S 400 Hybrid	220	09/09 12/13
S-CLASS (W221)	S 400 Hybrid (221.095, 221.195)	205	01/09 12/13
S-CLASS (W221)	S 420 CDI (221.028, 221.128)	235	10/06 12/09
S-CLASS (W221)	S 450 (221.070, 221.170)	250	12/05 12/13
S-CLASS (W221)	S 450 4-matic (221.084, 221.184)	250	12/05 12/13
S-CLASS (W221)	S 450 CDI (221.028, 221.128)	235	01/09 12/13
S-CLASS (W221)	S 500	271	05/11 12/13
S-CLASS (W221)	S 500 (221.071, 221.171)	285	10/05 12/13
S-CLASS (W221)	S 500 4-matic (221.086, 221.186)	285	10/05 12/13
S-CLASS (W221)	S 500 CGI (221.073, 221.173)	320	04/11 12/13
S-CLASS (W221)	S 500 CGI 4-matic (221.094, 221.194)	320	03/11 12/13
S-CLASS (W221)	S 600 (221.176)	380	12/05 12/13
S-CLASS Coupe (C215)	CL 500	215	09/04 12/05
S-CLASS Coupe (C215)	CL 500 (215.375)	225	03/99 03/06
S-CLASS Coupe (C216)	CL 500 (216.371)	285	06/06 12/13
S-CLASS Coupe (C216)	CL 500 (216.373)	320	02/11 12/13
S-CLASS Coupe (C216)	CL 500 4-matic (216.386)	285	02/08 12/13
S-CLASS Coupe (C216)	CL 500 4-matic (216.394)	320	02/11 12/13
S-CLASS Coupe (C216)	CL 600 (216.376)	380	05/06 12/13
SL (R230)	280 (230.454)	170	03/08 01/12
SL (R230)	300 (230.454)	170	04/09 01/12

SL (R230)	350 (230.456)	200	03/06 01/12
SL (R230)	350 (230.458)	232	04/08 01/12
SL (R230)	350 (230.467)	180	03/03 01/12
SL (R230)	500 (230.471)	285	03/06 01/12
SL (R230)	500 (230.475)	225	10/01 01/12
SLK (R171)	55 AMG (171.473)	265	06/04 02/11
SLK (R171)	55 AMG (171.473)	294	06/06 02/11

MERCEDES-BENZ (BBDC)

Modell	Típus	Kw	Év
E-CLASS (W211)	1.8 E 200 Kompressor (211.041)	135	09/06 12/12
E-CLASS (W211)	1.8 E 200 Kompressor (211.042)	120	11/05 12/06
E-CLASS (W211)	2.5 E 230 (211.052)	150	11/05 12/09
E-CLASS (W211)	3.0 E 280 (211.054)	170	11/05 12/09
E-CLASS (W211)	3.5 E 350 (211.056)	200	11/05 12/09
E-CLASS (W212)	E 180 L (212.133)	125	11/14 -
E-CLASS (W212)	E 200 L (212.134)	135	06/14 -
E-CLASS (W212)	E 200 L CGI (212.148)	135	03/11 12/12
E-CLASS (W212)	E 260 L (212.136)	155	06/14 -
E-CLASS (W212)	E 260 L CGI (212.147)	150	06/10 12/14
E-CLASS (W212)	E 300 L (212.154)	180	12/10 12/14
E-CLASS (W212)	E 320 L (212.162)	200	06/14 -
E-CLASS (W212)	E 320 L 4-matic (212.168)	200	06/14 -
E-CLASS (W212)	E 400 L (212.165)	245	08/13 12/14
E-CLASS (W212)	E 400 L 4-matic (212.167)	245	06/14 -
E-CLASS (W212)	E 400 L HYBRID (212.195)	225	06/14 -

OE kódok

Kompatibilis OE kódok

MERCEDES-BENZ	0004230230
MERCEDES-BENZ	0034205120
MERCEDES-BENZ	0044204420

MERCEDES-BENZ	004420442067
MERCEDES-BENZ	0054207920
MERCEDES-BENZ	0054209320
MERCEDES-BENZ	0054209420
MERCEDES-BENZ	0064200120
MERCEDES-BENZ	006420012064
MERCEDES-BENZ	0074201020
MERCEDES-BENZ	007420102041
MERCEDES-BENZ	0074206720
MERCEDES-BENZ	0074206820
MERCEDES-BENZ	A0004230230
MERCEDES-BENZ	A0034205120
MERCEDES-BENZ	A0044204420
MERCEDES-BENZ	A004420442067
MERCEDES-BENZ	A0054207920
MERCEDES-BENZ	A0054209320
MERCEDES-BENZ	A0054209420
MERCEDES-BENZ	A0064200120
MERCEDES-BENZ	A0074201020
MERCEDES-BENZ	A007420102041
MERCEDES-BENZ	A0074206720
MERCEDES-BENZ	A0074206820
MERCEDES-BENZ	A4420442067