



BRAKE PAD

P 94 001

The P 94 001 brake pad is synonymous with reliability

The Brembo brake pad guarantees ultimate safety when braking thanks to the use of more than 100 different compounds, designed according to the type of vehicle and use. Stopping distances reduced to a minimum, maximum driving comfort and silent operation are the most important features of Brembo materials. Brembo brake pads are supplied together with an extensive range of accessories and assembly kits for professional-standard installation.

- ✓ OE-equivalent
- ✓ Brembo quality
- ✓ ECE-R90 certificate
- ✓ Safety
- ✓ Performance
- ✓ Comfort
- ✓ With accessories

Technical specifications

EAN code
8020584125250

Axle
Front

Thickness
18 mm

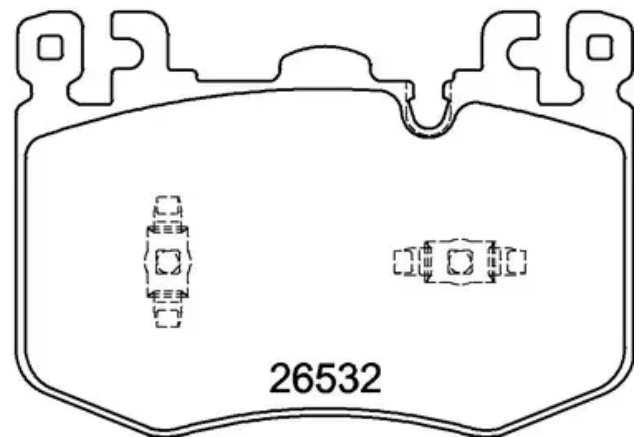
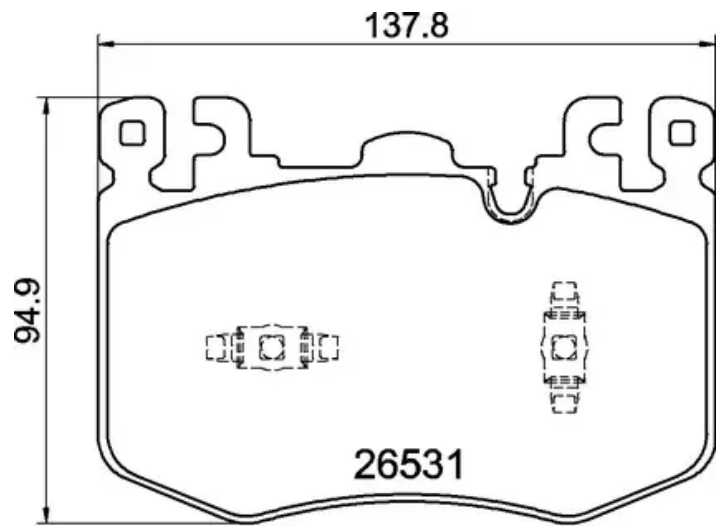
Width
138 mm

Height
95 mm

Wear indicator
Prepared for wear
indicator

WVA number
26531,26532

Accessories
With accessories
With anti-squeal
shim
With piston clip



COMPATIBLE VEHICLES

COMPATIBLE OE PART NUMBERS

32301133 POLESTAR

32373194 POLESTAR