



BRAKE PAD PRIME CERAMIC P28080N

The P28080N NAO brake pad is synonymous with reliability

Brembo NAO brake pads stand out for their ultimate braking comfort, reduced friction wear and low dust mission, which makes for cleaner rims and reduced maintenance requirements. The advanced friction material in keeping with the strictest environmental standards is the main distinguishing feature of NAO compounds.

- ✓ OE-equivalent
- ✓ Brembo quality
- ✓ Safety
- ✓ Comfort
- ✓ Durability
- ✓ Dust reduction
- ✓ With accessories



Technical specifications

EAN code
8020584080436

Thickness
15 mm

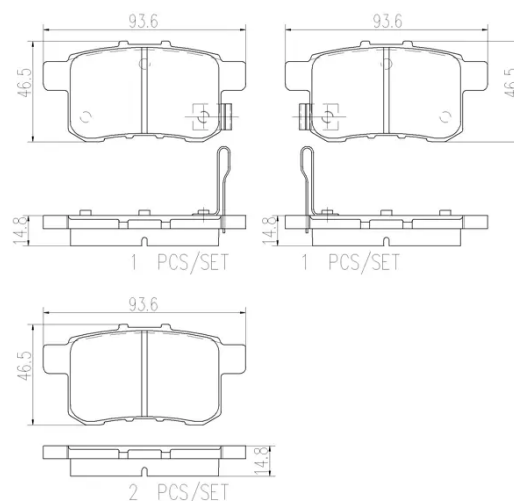
Width
94 mm

Height
47 mm

Braking system
Nissin

Wear indicator
Acoustic

Accessories
With anti-squeal shim



COMPATIBLE VEHICLES