



BRAKE DISC PAINTED

08.5085.31

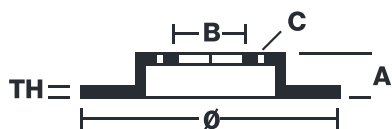
The **08.5085.31** painted brake disc is synonymous with reliability

The Brembo brake disc with special UV paint treatment guarantees superior corrosion resistance for the product, thanks to the protective coating on the outer edges and on the disc hub. The UV paint not only gives the disc a clean, shiny appearance but is also beneficial for the environment as the water-based UV paint treatment does not require the use of chemical solvents and is a low energy consumption process.

- ✓ OE-equivalent
- ✓ Brembo quality
- ✓ ECE-R90 certificate
- ✓ Safety
- ✓ Anti-corrosion
- ✓ Fastening screws



Technical specifications



EAN code
8020584215494

Axle
Rear

Diameter Ø
240 mm

Thickness (TH)
11 mm

Height (A)
40 mm

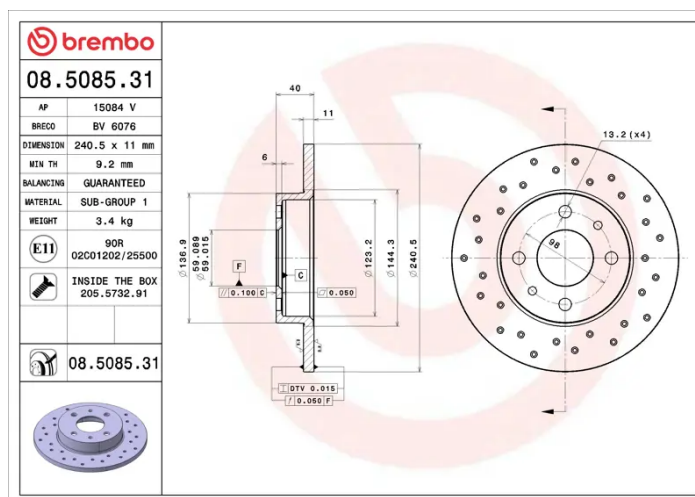
Number of holes (C)
4

Brake disc type
Solid

Centering (B)
59 mm

Min. thickness
9,2 mm

Tightening torque
98 Nm



COMPATIBLE VEHICLES

COMPATIBLE OE PART NUMBERS

51885456 ABARTH

5741447 ABARTH
