



BRAKE DISC

08.5352.10

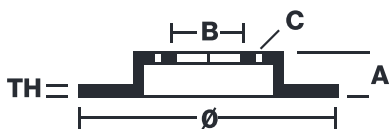
The **08.5352.10** brake disc is synonymous with reliability

The Brembo brake disc is fully interchangeable with an Original Equipment brake disc. The control of the entire production cycle allows Brembo to offer brake discs with outstanding performance levels, reliability, durability and comfort in all conditions of use. All Brembo brake discs are accompanied by the ECE-R90 homologation.

- ✓ OE-equivalent
- ✓ Brembo quality
- ✓ ECE-R90 certificate
- ✓ Safety
- ✓ Fastening screws



Technical specifications



EAN code
8020584535219

Axle
Rear

Diameter Ø
224 mm

Thickness (TH)
9 mm

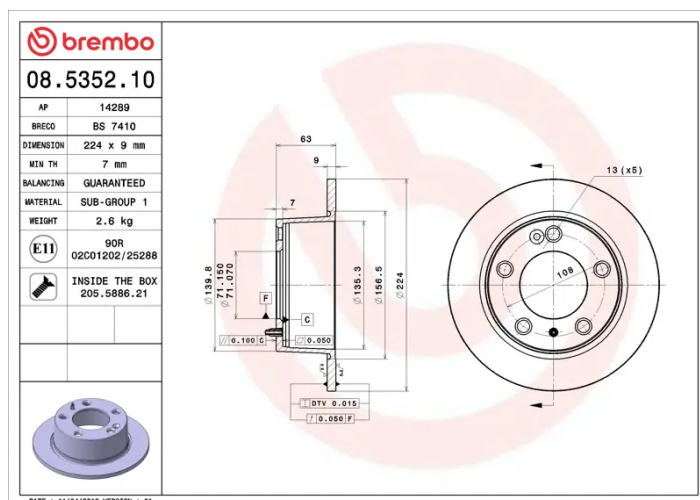
Height (A)
63 mm

Number of holes (C)
5

Brake disc type
Solid

Centering (B)
71 mm

Min. thickness
7 mm



COMPATIBLE VEHICLES

COMPATIBLE OE PART NUMBERS

4246T3	CITROËN
95030547	CITROËN
95661814	CITROËN