



BRAKE DISC PAINTED

08.D757.21

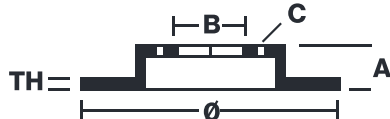
The 08.D757.21 painted brake disc is synonymous with reliability

The Brembo brake disc with special UV paint treatment guarantees superior corrosion resistance for the product, thanks to the protective coating on the outer edges and on the disc hub. The UV paint not only gives the disc a clean, shiny appearance but is also beneficial for the environment as the water-based UV paint treatment does not require the use of chemical solvents and is a low energy consumption process.

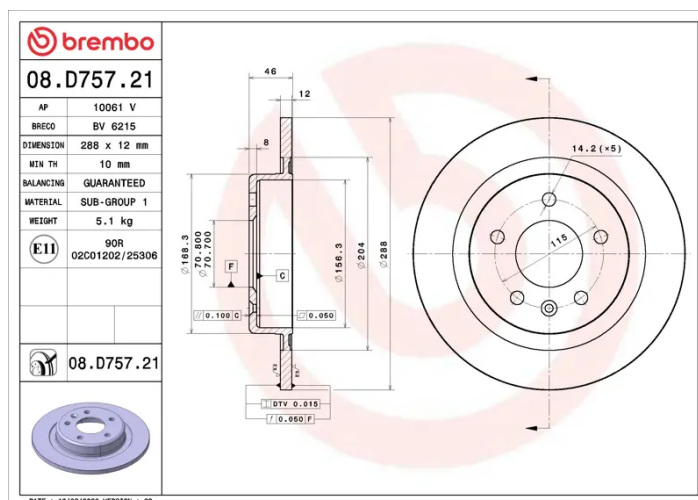
- ✓ OE-equivalent
- ✓ Brembo quality
- ✓ ECE-R90 certificate
- ✓ Safety
- ✓ Anti-corrosion



Technical specifications



EAN code	Axle	Diameter Ø
8020584315828	Rear	288 mm
Thickness (TH)	Height (A)	Number of holes (C)
12 mm	46 mm	5
Brake disc type	Centering (B)	Min. thickness
Solid	71 mm	10 mm



COMPATIBLE VEHICLES

COMPATIBLE OE PART NUMBERS

13544245	BUICK
13517854	BUICK (SGM)
13517858	BUICK (SGM)
13517854	CADILLAC (SGM)
13544245	CHEVROLET
13513890	CHEVROLET (SGM)
13517854	CHEVROLET (SGM)
13517858	CHEVROLET (SGM)
13544245	GMC
13517857	OPEL
13521008	OPEL
13517857	VAUXHALL
13521008	VAUXHALL