



BRAKE DISC CO-CAST

09.F652.23

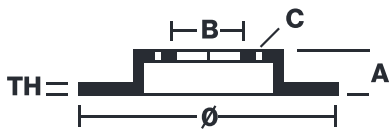
Co-Cast brake disc 09.F652.23 belongs to Brembo Premium Line

The Co-Cast brake disc consists of a steel hat cast onto the high-carbon cast iron braking surface. This technology not only ensures superior performance for the braking system but also allows the weight of the disc itself to be reduced by up to 15%, resulting in reduced consumption and emission levels and improved road handling.

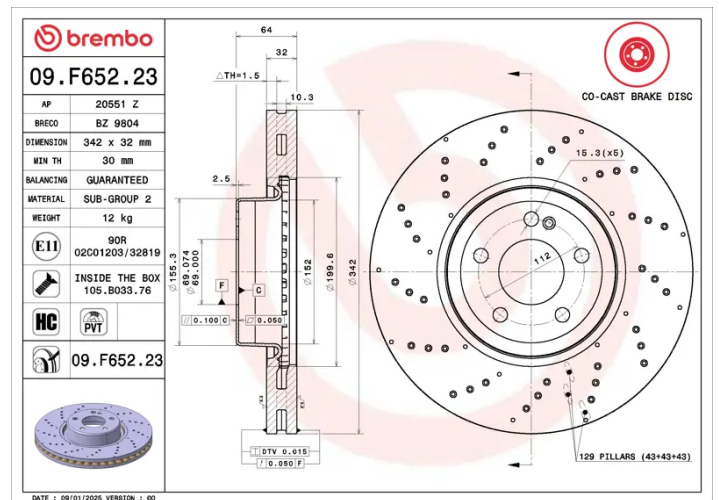
- ✓ OE-equivalent
- ✓ Brembo quality
- ✓ ECE-R90 certificate
- ✓ Weight reduction
- ✓ High carbon
- ✓ Bi-Material Brake Disc
- ✓ Anti-corrosion
- ✓ PVT ventilation
- ✓ Fastening screws
- ✓ Fading resistance



Technical specifications



EAN code 8020584341513	Axle Front	Diameter Ø 342 mm
Thickness (TH) 32 mm	Height (A) 64 mm	Number of holes (C) 5
Brake disc type Ventilated	Centering (B) 69 mm	Min. thickness 30 mm



COMPATIBLE VEHICLES

COMPATIBLE OE PART NUMBERS

2234210000

MERCEDES-BENZ

A2234210000

MERCEDES-BENZ