



# BRAKE PAD PRIME CERAMIC P24078N

The P24078N NAO brake pad is synonymous with reliability



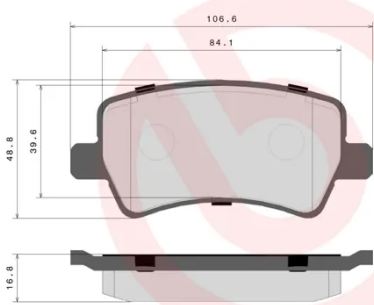

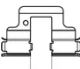
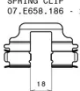
Brembo NAO brake pads stand out for their ultimate braking comfort, reduced friction wear and low dust mission, which makes for cleaner rims and reduced maintenance requirements. The advanced friction material in keeping with the strictest environmental standards is the main distinguishing feature of NAO compounds.

- ✓ OE-equivalent
- ✓ Brembo quality
- ✓ Safety
- ✓ Comfort
- ✓ Durability
- ✓ Dust reduction
- ✓ With accessories



## Technical specifications

EAN code <b>8020584086339</b>	Axle <b>Rear</b>	Thickness <b>17 mm</b>
Width <b>106 mm</b>	Height <b>49 mm</b>	Braking system <b>TRW</b>
Wear indicator <b>Without</b>	WVA number <b>24496</b>	Accessories <b>With accessories</b> <b>With anti-squeal shim</b> <b>With brake caliper bolts</b>

	<b>P24078N</b>		407.E672.071.N
		SCREW M8x1.25x21 05.E659.000 - x4  SPRING CLIP 07.E658.011 - x2  SPRING CLIP 07.E658.186 - x2 	
WVA: 24496 QTY: x4			
DATE : 24/01/2025 VERSION : 00			

COMPATIBLE VEHICLES

## COMPATIBLE OE PART NUMBERS

1426143	FORD
1426144	FORD
1439866	FORD
1459450	FORD
1503969	FORD
1566233	FORD
1655233	FORD
1752093	FORD
1916606	FORD
6G912M008AA	FORD
6G912M008BA	FORD
6G912M008FA	FORD
6G912M008FB	FORD
6G912M008FC	FORD
6G912M008FD	FORD
89BBA23943JA3M	FORD
ME6G9J2M008FA	FORD
ME6G9J2M008FB	FORD
ME6GJ2M008FA	FORD
LR027129	LAND ROVER
LR043285	LAND ROVER
LR043714	LAND ROVER
LR134695	LAND ROVER
30671575	VOLVO
30742516	VOLVO
30794555	VOLVO
31317482	VOLVO
31317483	VOLVO
32300258	VOLVO
32300259	VOLVO
31329430	VOLVO (CHANGAN)