

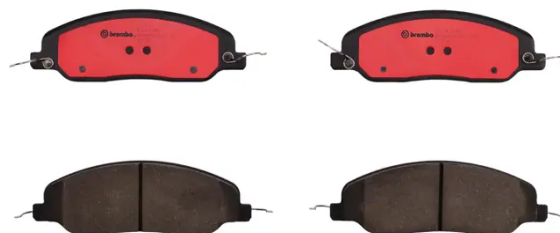


BRAKE PAD PRIME CERAMIC P24121N

The P24121N NAO brake pad is synonymous with reliability

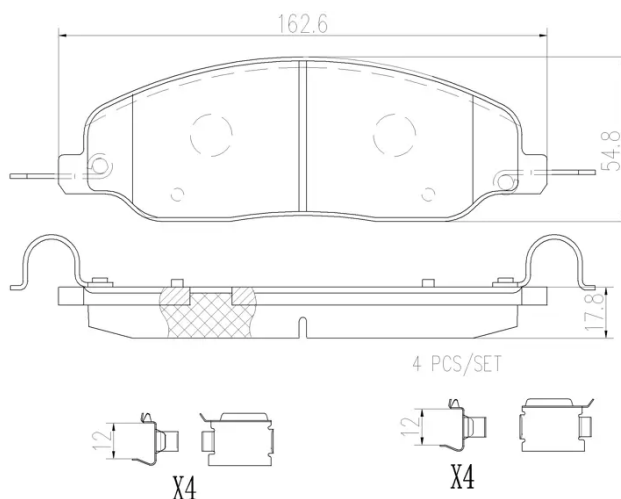
Brembo NAO brake pads stand out for their ultimate braking comfort, reduced friction wear and low dust mission, which makes for cleaner rims and reduced maintenance requirements. The advanced friction material in keeping with the strictest environmental standards is the main distinguishing feature of NAO compounds.

- ✓ OE-equivalent
- ✓ Brembo quality
- ✓ Safety
- ✓ Comfort
- ✓ Durability
- ✓ Dust reduction
- ✓ With accessories



Technical specifications

EAN code	Axle	Thickness
8020584097472	Front	18 mm
Width	Height	
163 mm	55 mm	
Wear indicator	WVA number	Accessories
Without	24513	With anti-squeal shim



COMPATIBLE VEHICLES