



BRAKE PAD PRIME CERAMIC P36013N

The P36013N NAO brake pad is
synonymous with reliability

Brembo NAO brake pads stand out for their ultimate braking comfort, reduced friction wear and low dust mission, which makes for cleaner rims and reduced maintenance requirements. The advanced friction material in keeping with the strictest environmental standards is the main distinguishing feature of NAO compounds.

- ✓ OE-equivalent
- ✓ Brembo quality
- ✓ Safety
- ✓ Comfort
- ✓ Durability
- ✓ Dust reduction
- ✓ With accessories



Technical specifications

EAN code
8020584098134

Axle
Rear

Thickness
17 mm

Width
114 mm

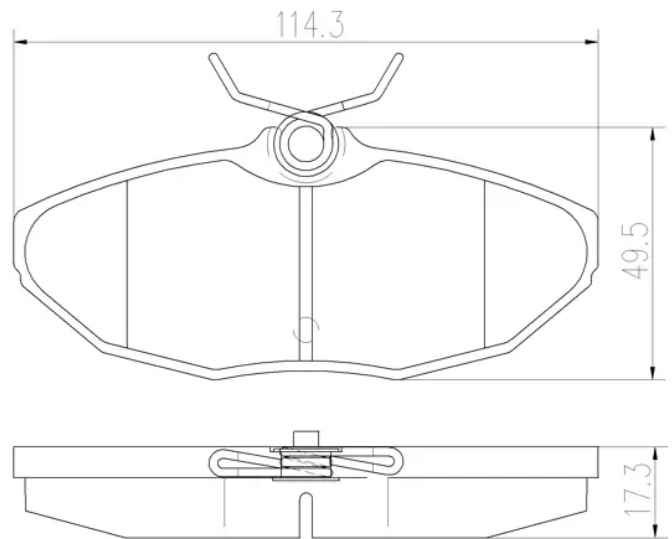
Height
50 mm

Braking system
Lucas

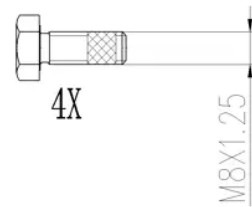
Wear indicator
Without

WVA number
23424

Accessories
**With accessories
With anti-squeal
shim
With brake caliper
bolts**



4 PCS/SET



COMPATIBLE VEHICLES

COMPATIBLE OE PART NUMBERS

1W4Z2200AA	FORD
4W4Z2200AA	FORD
XW4Z2200AA	FORD
02C2C40194	JAGUAR
C2C20585	JAGUAR
C2C22316	JAGUAR
C2C40194	JAGUAR
XR810211	JAGUAR
XR812436	JAGUAR
XR8124636	JAGUAR
XR830140	JAGUAR
XR848934	JAGUAR
XW4ZA2200AA	LINCOLN