



# BRAKE PAD PRIME CERAMIC P65048N

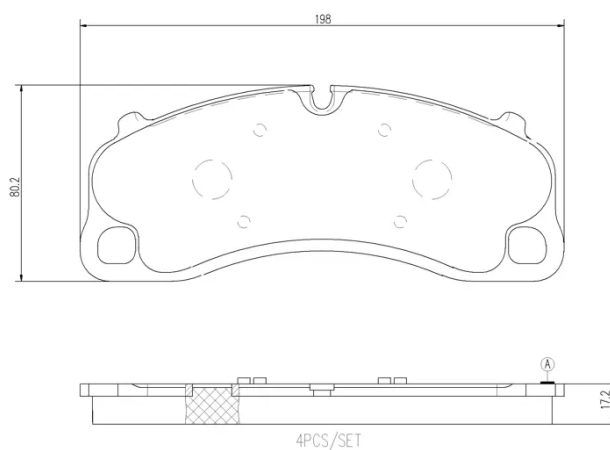
The P65048N NAO brake pad is synonymous with reliability

Brembo NAO brake pads stand out for their ultimate braking comfort, reduced friction wear and low dust mission, which makes for cleaner rims and reduced maintenance requirements. The advanced friction material in keeping with the strictest environmental standards is the main distinguishing feature of NAO compounds.

- ✓ OE-equivalent
- ✓ Brembo quality
- ✓ Safety
- ✓ Comfort
- ✓ Durability
- ✓ Dust reduction
- ✓ With accessories

## Technical specifications

EAN code	Axle	Thickness
<b>8020584119815</b>	<b>Front</b>	<b>18 mm</b>
Width	Height	Braking system
<b>198 mm</b>	<b>80 mm</b>	<b>Brembo</b>
Wear indicator	WVA number	Accessories
<b>Prepared for wear indicator</b>	<b>25566</b>	<b>With anti-squeal shim</b>



COMPATIBLE VEHICLES

## COMPATIBLE OE PART NUMBERS

99135194781      PORSCHE

---

99135194782      PORSCHE

---

99135194783      PORSCHE

---

99135194784      PORSCHE

---

9GT698151G      PORSCHE

---

9GT698151T      PORSCHE

---