



BRAKE PAD PRIME CERAMIC P85145N

The P85145N NAO brake pad is synonymous with reliability

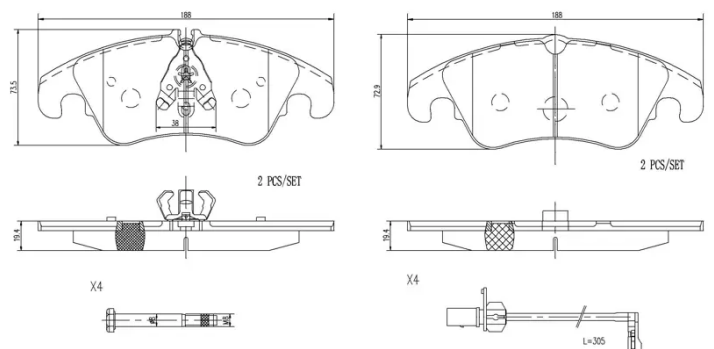
Brembo NAO brake pads stand out for their ultimate braking comfort, reduced friction wear and low dust mission, which makes for cleaner rims and reduced maintenance requirements. The advanced friction material in keeping with the strictest environmental standards is the main distinguishing feature of NAO compounds.

- ✓ OE-equivalent
- ✓ Brembo quality
- ✓ Safety
- ✓ Comfort
- ✓ Durability
- ✓ Dust reduction
- ✓ With accessories



Technical specifications

EAN code 8020584068182	Axle Front	Thickness 19 mm
Width 188 mm	Height 73 mm	Braking system Lucas
Wear indicator Electric	WVA number 22252,24409	Accessories With accessories With anti-squeal shim With brake caliper bolts With piston clip



COMPATIBLE VEHICLES

COMPATIBLE OE PART NUMBERS

4G0698151 AUDI

4G0698151AA AUDI

4G0698151AH AUDI

4G0698151C AUDI

4G0698151D AUDI

4G0698151L AUDI

8K0698151C AUDI

8K0698151L AUDI

8K0698151Q AUDI

8R0698151A AUDI

8R0698151S AUDI

L4GD698151C AUDI (FAW)

4G0698151 SEAT

4G0698151AA SEAT

4G0698151D SEAT

4G0698151L SEAT

8K0698151C SEAT

8K0698151L SEAT

8R0698151A SEAT

4G0698151 SKODA

4G0698151AA SKODA

4G0698151D SKODA

4G0698151L SKODA

8K0698151C SKODA

8K0698151L SKODA

8R0698151A SKODA

4G0698151 VW

4G0698151AA VW

4G0698151D VW

4G0698151L VW

8K0698151C VW

8K0698151L VW

8R0698151A VW

4GD698151B VW (FAW)

4GD698151B VW (SVW)