



BRAKE PAD

P 06 111

The P 06 111 brake pad is synonymous with reliability

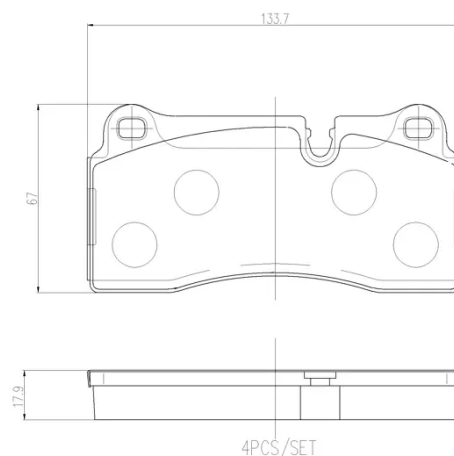
The Brembo brake pad guarantees ultimate safety when braking thanks to the use of more than 100 different compounds, designed according to the type of vehicle and use. Stopping distances reduced to a minimum, maximum driving comfort and silent operation are the most important features of Brembo materials. Brembo brake pads are supplied together with an extensive range of accessories and assembly kits for professional-standard installation.

- ✓ OE-equivalent
- ✓ Brembo quality
- ✓ ECE-R90 certificate
- ✓ Safety
- ✓ Performance
- ✓ Comfort



Technical specifications

EAN code	Axle	Thickness
8020584117811	Rear	18 mm
Width	Height	Braking system
134 mm	67 mm	Brembo
Wear indicator	WVA number	Accessories
Prepared for wear indicator	25814	With anti-squeal shim



COMPATIBLE VEHICLES

COMPATIBLE OE PART NUMBERS

34218091600 BMW

3421950290301 BMW

3428091600 BMW

342950290301 BMW
