



BRAKE PAD

P 23 039

The P 23 039 brake pad is synonymous with reliability

The Brembo brake pad guarantees ultimate safety when braking thanks to the use of more than 100 different compounds, designed according to the type of vehicle and use. Stopping distances reduced to a minimum, maximum driving comfort and silent operation are the most important features of Brembo materials. Brembo brake pads are supplied together with an extensive range of accessories and assembly kits for professional-standard installation.

- ✓ OE-equivalent
- ✓ Brembo quality
- ✓ ECE-R90 certificate
- ✓ Safety
- ✓ Performance
- ✓ Comfort

Technical specifications

EAN code
8020584051092

Axle
Front

Thickness
18 mm

Width
151 mm

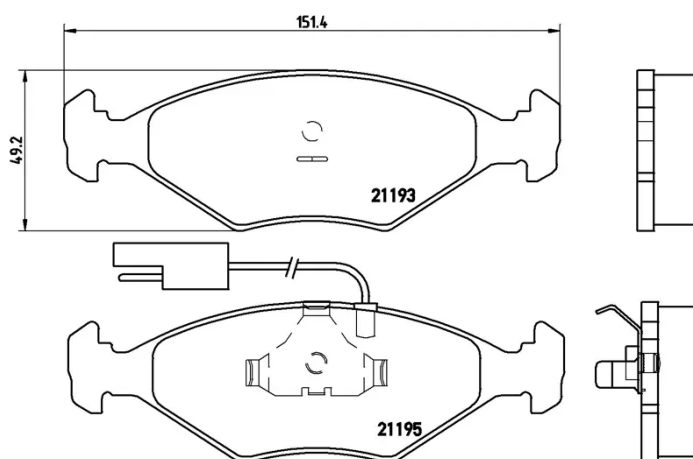
Height
49 mm

Braking system
Teves

Wear indicator
Electric

WVA number
21193,21195

Accessories
With anti-squeal shim



COMPATIBLE VEHICLES

COMPATIBLE OE PART NUMBERS

5X0698151B	AUDI
------------	------

5882985	FIAT
---------	------

5888529	FIAT
---------	------

7077414	FIAT
---------	------

5X0698151B	VW
------------	----