



# BRAKE PAD

## P 50 084

The P 50 084 brake pad is synonymous with reliability

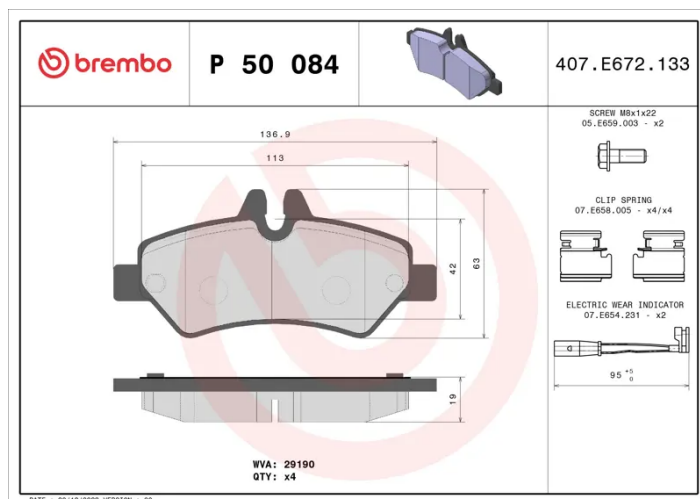
The Brembo brake pad guarantees ultimate safety when braking thanks to the use of more than 100 different compounds, designed according to the type of vehicle and use. Stopping distances reduced to a minimum, maximum driving comfort and silent operation are the most important features of Brembo materials. Brembo brake pads are supplied together with an extensive range of accessories and assembly kits for professional-standard installation.

- ✓ OE-equivalent
- ✓ Brembo quality
- ✓ ECE-R90 certificate
- ✓ Safety
- ✓ Performance
- ✓ Comfort
- ✓ With accessories



### Technical specifications

EAN code <b>8020584061237</b>	Axle <b>Rear</b>	Thickness <b>19 mm</b>
Width <b>137 mm</b>	Height <b>63 mm</b>	Braking system <b>Bosch</b>
Wear indicator <b>Electric</b>	WVA number <b>29190</b>	Accessories <b>With accessories</b> <b>With anti-squeal shim</b> <b>With brake caliper bolts</b>



COMPATIBLE VEHICLES

## COMPATIBLE OE PART NUMBERS

K04862602AA	CHRYSLER
-------------	----------

4862602AA	DODGE
-----------	-------

4862602AB	DODGE
-----------	-------

04862602AA	FREIGHTLINER
------------	--------------

0044206920	MERCEDES-BENZ
------------	---------------

0084205120	MERCEDES-BENZ
------------	---------------

9064200100	MERCEDES-BENZ
------------	---------------

9064230400	MERCEDES-BENZ
------------	---------------

A0044206920	MERCEDES-BENZ
-------------	---------------

A0084205120	MERCEDES-BENZ
-------------	---------------

A9064200100	MERCEDES-BENZ
-------------	---------------

A9064230400	MERCEDES-BENZ
-------------	---------------

2E0698451	VW
-----------	----

2E0698451H	VW
------------	----

JZW698451N	VW
------------	----