



BRAKE PAD

P 50 140

The P 50 140 brake pad is synonymous with reliability



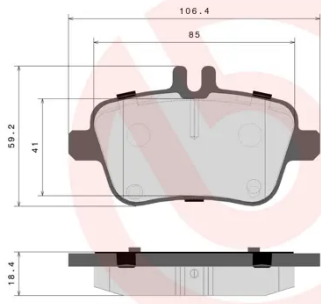

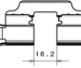
The Brembo brake pad guarantees ultimate safety when braking thanks to the use of more than 100 different compounds, designed according to the type of vehicle and use. Stopping distances reduced to a minimum, maximum driving comfort and silent operation are the most important features of Brembo materials. Brembo brake pads are supplied together with an extensive range of accessories and assembly kits for professional-standard installation.

- ✓ OE-equivalent
- ✓ Brembo quality
- ✓ ECE-R90 certificate
- ✓ Safety
- ✓ Performance
- ✓ Comfort
- ✓ With accessories



Technical specifications

EAN code 8020584087459	Axle Rear	Thickness 19 mm
Width 106 mm	Height 59 mm	Braking system TRW
Wear indicator Prepared for wear indicator	WVA number 24848	Accessories With accessories With anti-squeal shim With brake caliper bolts

	P 50 140		407.E672.499
		SCREW M8x1,25x22 05.E659.002 - x4  SPRING CLIP 07.E658.009 - x4 	
WVA: 24848 QTY: x4			
DATE : 09/09/2022 VERSION : 00			

COMPATIBLE VEHICLES

COMPATIBLE OE PART NUMBERS

440605DA0A INFINITI

440605DA0B INFINITI

44060HG00A INFINITI

44060HG00E INFINITI

0064208020 MERCEDES-BENZ

0064208120 MERCEDES-BENZ

0064208320 MERCEDES-BENZ

0074209520 MERCEDES-BENZ

0074209620 MERCEDES-BENZ

A0064208020 MERCEDES-BENZ

A0064208120 MERCEDES-BENZ

A0064208320 MERCEDES-BENZ

A0074209520 MERCEDES-BENZ

A0074209620 MERCEDES-BENZ
